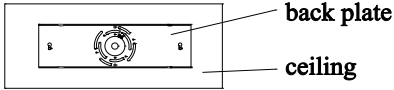
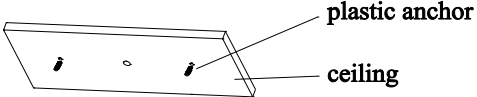
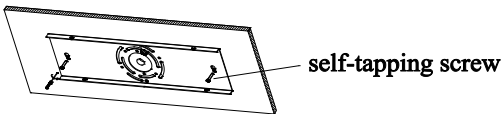
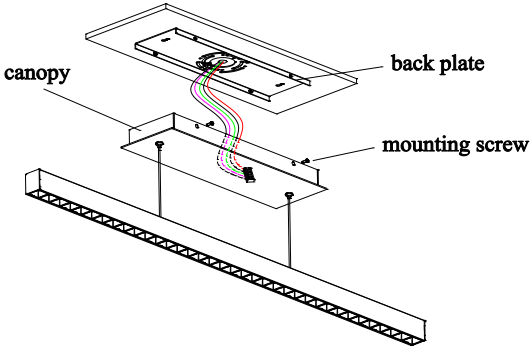
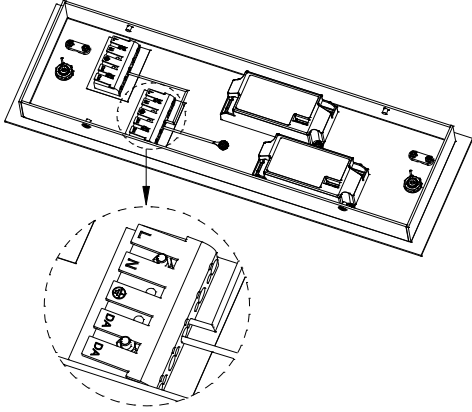


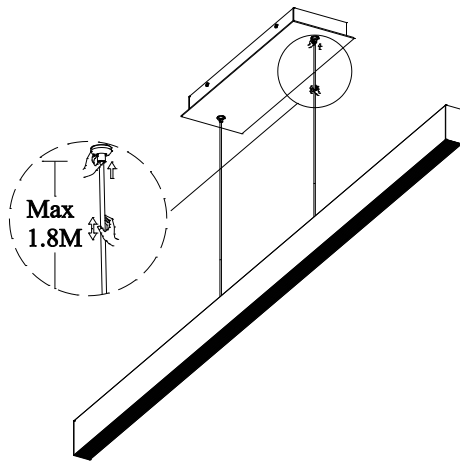
Installation Precautions:

1. Please read through the Instructions before installation, should be installed by a professional electrician.
2. This light has DALI dimming, and requires compatibility testing with the control system in advance by professionals.
3. The LED source in the light should be replaced by the manufacturer or its service agent or similarly qualified personnel.
4. Do not install the light on an unstable or unsolid skylight, to avoid falling off.
5. Please keep this Instruction properly for future reference.

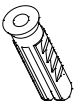


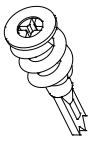
Light Installation and Wiring:

<p>① Drill 2 holes align with the back plate: $\Phi 6 \times 28$</p>  <p>back plate ceiling</p>	<p>② Insert the plastic anchors. for plasterboard use ①, for concrete ceiling use ②.</p>  <p>plastic anchor ceiling</p>
<p>③ Secure the back plate with self-tapping screw ③.</p>  <p>self-tapping screw</p>	<p>Wiring:</p> <ol style="list-style-type: none"> 1. 2 terminals for up and down light; 2. 1 terminal only for down light. <p>L - Line N - Neutral ⊕ - GND DA - DALI dimming</p>
<p>④ Connect the power cord according to polarity markings. Then secure the canopy with mounting screws ④. (The fig. are for installation reference only, please refer to the actual model and actual product for details)</p>  <p>canopy back plate mounting screw</p>	

- ⑤ Adjust the cable length less than 1.8M.
(The fig. are for installation reference only, please refer to the actual model and actual product for details)



Accessory:

A	B	C	D
			
small plastic anchor Qty.: 2 pcs	wood screw Qty.: 2 pcs	mounting screw Qty.: 1 extra	big plastic anchor Qty.: 2 pcs