

LIGNE PRO - MODEL: LLBPE-LD64B

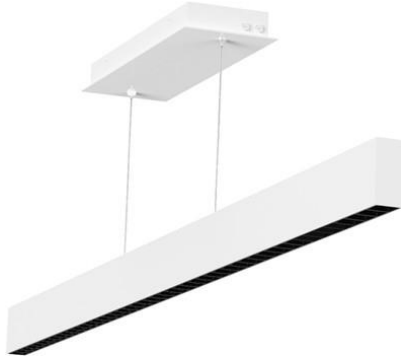
Linear Luminaires

WAC

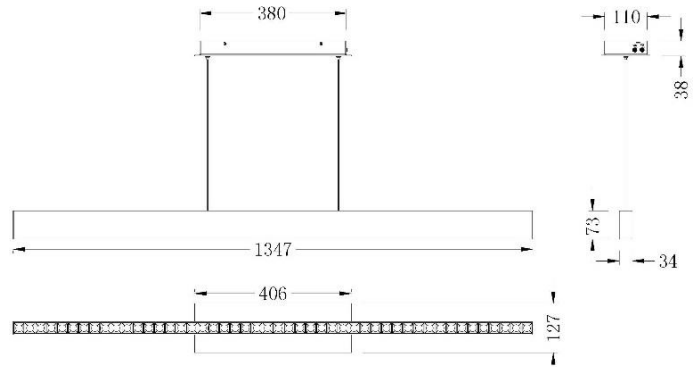
PROJECT:

TYPE:

Product Image



Line Drawing



Product Description

LIGNE pro pendant lamp, the upper light has 60°~130° variable beam angle light distribution, the lower light has an anti-glare grille, and the single light can be independently dimmed up and down. It is suitable for lighting applications in commercial, office and meeting places.

Product Features

- Body Material: Aluminum alloy extruded lamp body
- Optical System: Lens+ Anti-glare grille
- Finish: Static electricity powder coating
- Direction of projection: /
- Accessories: /
- Certification: CCC
- IP Rating: IP20
- Insulation Level: Class II
- Operating Temperature: -20°C~40°C

Product Specifications

- Shielding Angle: /
- LED Type: SMD LED
- Source Lm: 3000K 7680lm 4000K 8320lm
- LED Lifetime: >50000h-L70 /B10-Ta25°C(LM-80/TM-21)
- CCT/CRI: 3000K/4000K, Ra90
- SDCM: 3 SDCM
- Input: 220V~240V AC / 50Hz
- Dimming: Wireless Dimming
- Net Weight: 3.8Kg without packing

Order Model

Model	LED POWER	Driver	CCT	Beam	Reflector	Finish
LLBPE	LD64 64W	B Wireless	30 3000K	6 60°	B Black	WT White
Linear pedants		Dimming	40 4000K			BK Black
B series						
E Size						

Example: LLBPE-LD64B-306BWT

fittings

LIGNE PRO - MODEL: LLBPE-LD64B

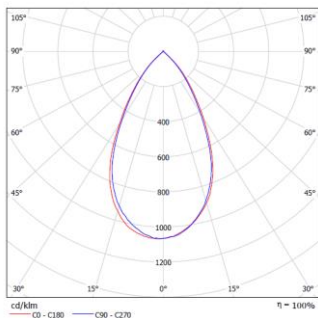
Linear Luminaires

WAC

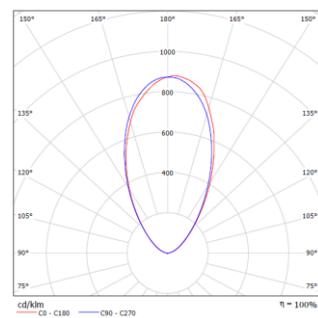
PROJECT:

TYPE:

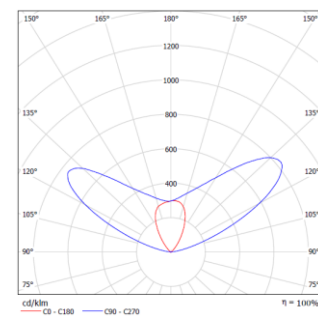
LIGHT DISTRIBUTION@3000K LUMINAIRE DATA



MODEL :	LLBPE-LD64B-306BWT(Under the light)
BEAM ANGLE :	60 °
POWER :	37W
LUMENS :	2315lm
CBCP :	1647cd
EFFICACY :	63lm/W



MODEL :	LLBPE-LD64B-306BWT(Upward the light)
BEAM ANGLE :	60 °
POWER :	38W
LUMENS :	2815lm
CBCP :	2496cd
EFFICACY :	74lm/W



MODEL :	LLBPE-LD64B-306BWT(Upward the light)
BEAM ANGLE :	130 °
POWER :	38W
LUMENS :	2969lm
CBCP :	2455cd
EFFICACY :	78lm/W

LIGNE PRO - MODEL: LLBPE-LD64D

Linear Luminaires

WAC

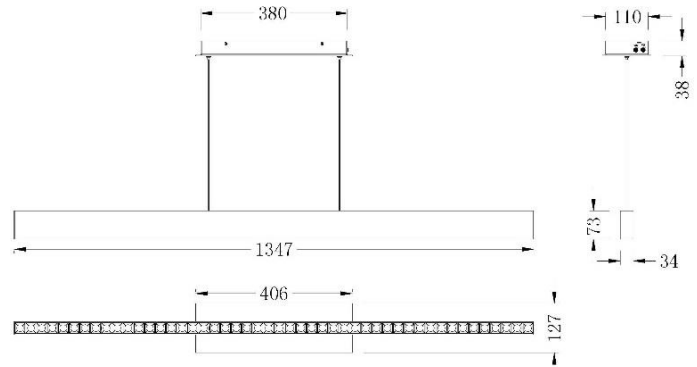
PROJECT:

TYPE:

Product Image



Line Drawing



Product Description

LIGNE pro pendant lamp, the upper light has a large angle batwing light distribution, the lower light has an anti-glare grille, and the single light can be independently dimmed by knob up and down. It is suitable for lighting applications in commercial, office and meeting places.

Product Features

- Body Material: Aluminum alloy extruded lamp body
- Optical System: Lens+ Anti-glare grille
- Finish: Static electricity powder coating
- Direction of projection: /
- Accessories: /
- Certification: CCC
- IP Rating: IP20
- Insulation Level: Class II
- Operating Temperature: -20°C~40°C

Product Specifications

- Shielding Angle: /
- LED Type: SMD LED
- Source Lm: 3000K 7680lm 4000K 8320lm
- LED Lifetime: >50000h-L70 /B10-Ta25°C(LM-80/TM-21)
- CCT/CRI: 3000K/4000K, Ra90
- SDCM: 3 SDCM
- Input: 220V~240V AC / 50Hz
- Dimming: 0-10V/Built-in knob dimming
- Net Weight: 3Kg without packing

Order Model

Model	LED POWER	Driver	CCT	Beam	Reflector	Finish
LLBPE Linear pedants B series E Size	LD64 64W	D 0-10V Dimming	30 3000K	6 60°	B Black	WT White
			40 4000K			BK Black

Example: LLBPE-LD64D-306BWT

fittings

LIGNE PRO - MODEL: LLBPE-LD64D

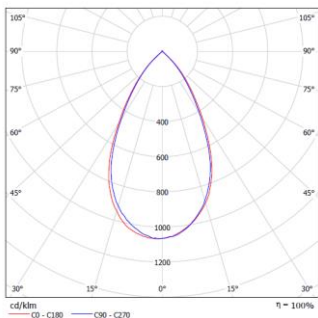
Linear Luminaires

WAC

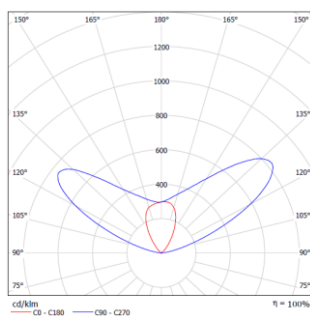
PROJECT:

TYPE:

LIGHT DISTRIBUTION@3000K LUMINAIRE DATA



MODEL :	LLBPE-LD64D-306BWT
BEAM ANGLE :	60 °
POWER :	37W
LUMENS :	2315lm
CBCP :	1647cd
EFFICACY :	63lm/W



MODEL :	LLBPE-LD64D-306BWT
BEAM ANGLE :	130 °
POWER :	38W
LUMENS :	2969lm
CBCP :	2455cd
EFFICACY :	78lm/W