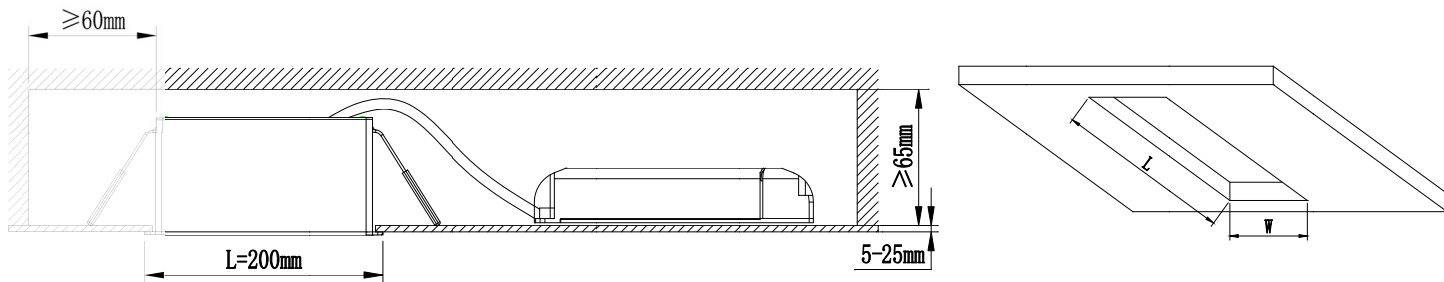


Installation Precautions:

1. Before installation, read the instructions carefully and follow the instructions;
2. Installed by a qualified electrician;
3. In order to avoid the risk of electric shock, confirm that the power supply is turned off before installation and maintenance;
4. Suitable for indoor installation (not for humid environment);
5. Do not install the lamp on the unstable and unstable skylight to avoid the lamp falling;
6. Luminaires and dimming systems need to be tested for compatibility in advance;
7. The luminaire can be embedded in the mounting ceiling surface, but do not cover the luminaire with insulation and combustibles to avoid causing fire;
8. Keep this manual safe for use when needed.

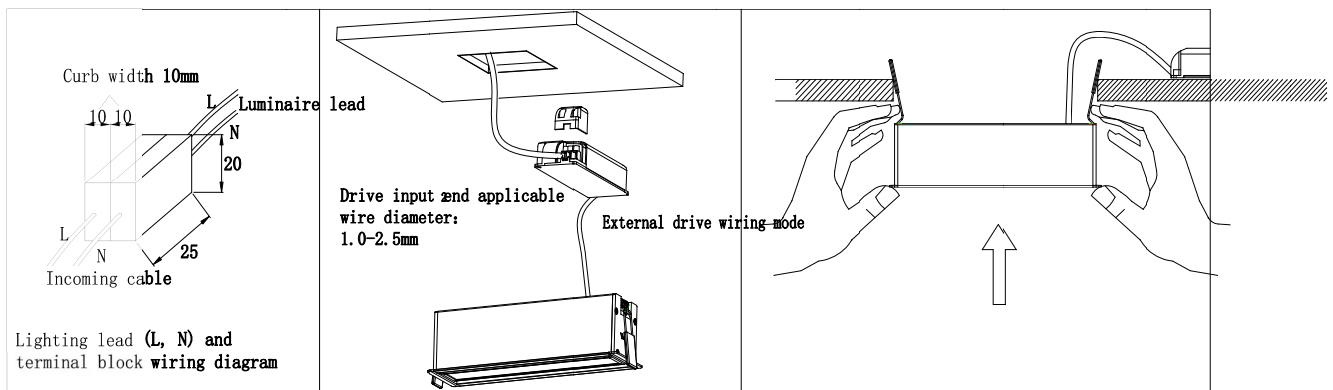
Light Installation and Wiring:

1. The ceiling opens the installation hole of the lamp, and the ceiling thickness is 5-25mm; The height of the lamp installation space in the ceiling is $\geq 65\text{mm}$. Select the corresponding ceiling opening size according to the lamp specifications in the following table, and open the lamp installation hole on the ceiling in advance.



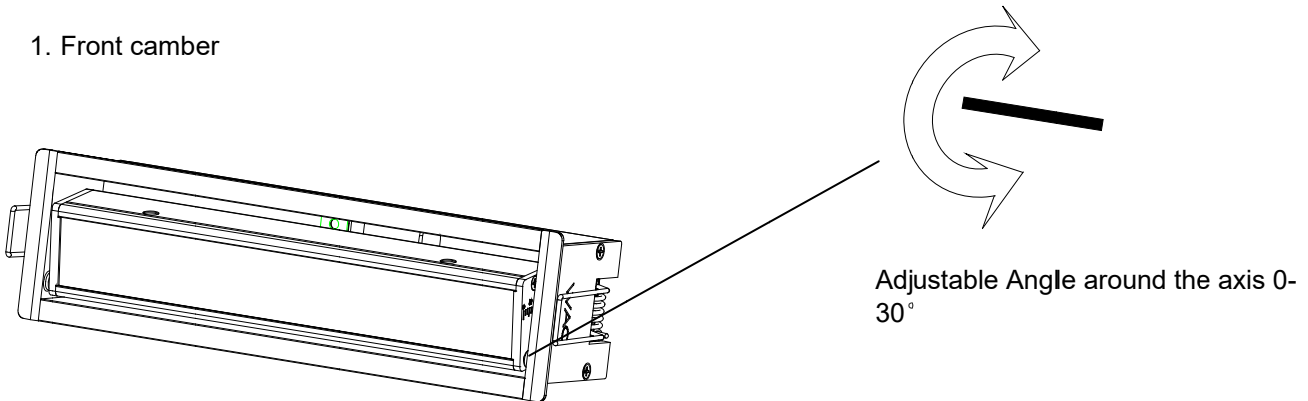
Model	Opening length L (unit : mm)	Opening width W (unit : mm)
SR52WLD06	106	50
SR52WLD12	193	50
SR52WLD18	280	50

2. If the driver of the lamp comes with a lead, and the connection lead needs to be connected to an independent terminal block (refer to the wiring diagram below), the size of each terminal block should not be less than 10x20x25mm.
3. After connecting the wire, first put the electrical appliance into the ceiling through the opening.



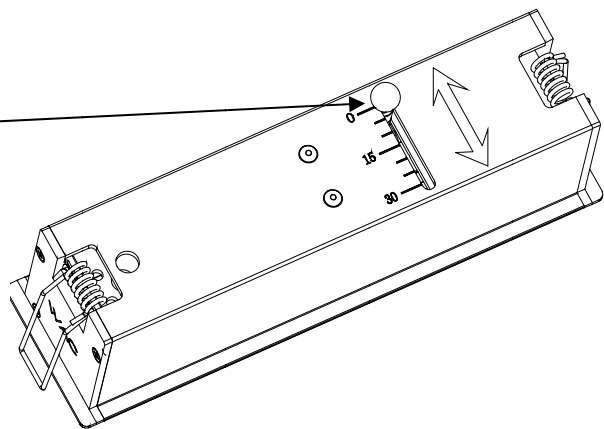
Luminaire regulation

1. Front camber



2. Back Angle

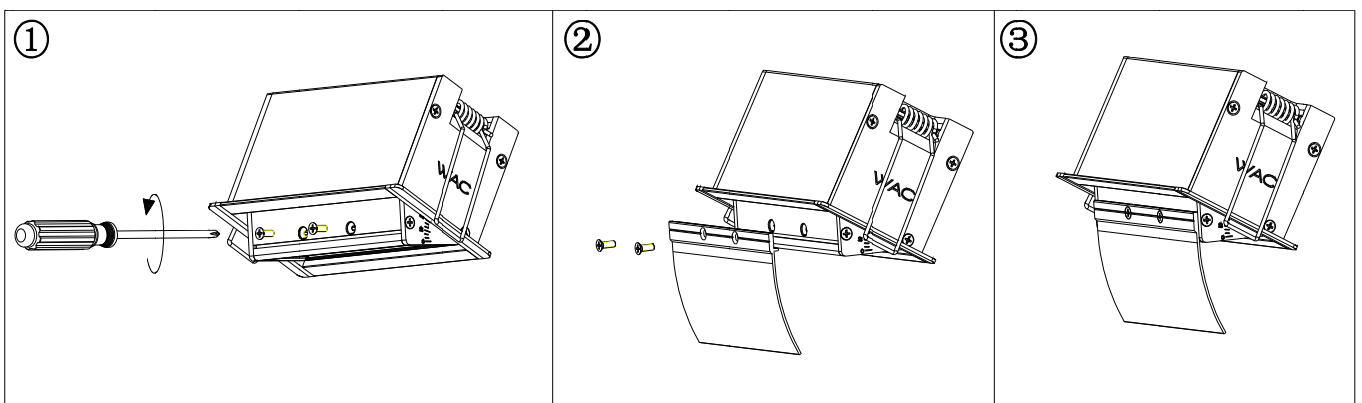
The lever can be extended up and down: pull it out first, and then move the lever to the desired Angle of the scale, and then push the rod back to the ball about the lamp body.



Lighting fittings installation

1. Use a screw batch to remove the two screws on aluminum extrusion lamp,
2. Align the holes on the fittings (light shade/honeycomb) with those on the lamp body,
3. Fasten with the removed screws, as shown in the following figure.

the



本页仅用于版本控制，请勿印刷！

序号	变更说明	变更人	变更日期
1	增加其他规格开孔尺寸，更新调节说明	苏小军	02/02/2021
2	更新 LOGO	黄德金	07/27/2022
3			
4			
5			