

# LEDME II - MODEL: SLIR5FLM

## Recessed Showcase Lighting

# WAC LIGHTING

Responsible Lighting®

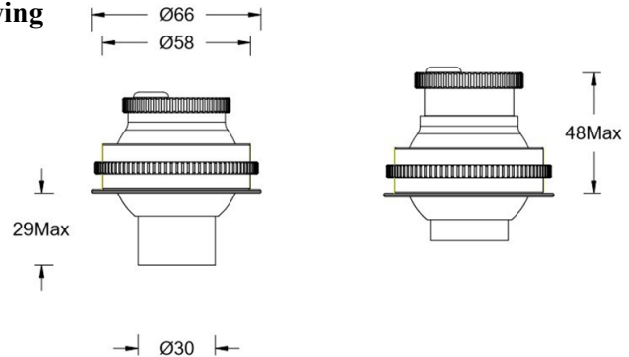
PROJECT:

TYPE:

### Product Image



### Line Drawing



### Product Description

LED me II series display case light products are simple and compact in appearance, using WAC's leading SUBROSA anti-glare technology, with precise adjustable focus lighting design, which can be very convenient to adjust the light spot according to the characteristics of the exhibition. According to different display cases or application scenarios, the creative use of patented structural design, can support the focus operation from the front or from the back (dual use of one lamp), to meet the needs of different exhibitions, suitable for museum display cases and high-end art exhibitions.

### Product Features

- Body Material: Aluminum alloy die-casting
- Optical System: Zoom optical lens  
+SUBROSA
- Finish: Liquid spraying, (BK)
- Adjustable Angle: Adjust horizontally in any direction; vertical -30~30°
- Accessories: Extension cable is optional
- Certification: CQC
- IP Rating: IP20
- Insulation Level: Class III
- Operating Temperature: -20°C~40°C

### Product Specifications

- Cut-out: Ø60mm
- Ceiling Thickness: 1~13mm
- LED Type: High-Power LED
- LED power: 6W
- Source Lm: 480lm(3000K) / 510lm (4000K)
- LED Lifetime: >50000h-L70 / B10-Ta25°C(LM-80/TM-21)
- CCT/CRI: 3000K / 4000K , Ra90 or Ra97(>Ra95)
- SDCM: 3 SDCM
- Input: 12V DC (Constant current drive, 500mA Max)
- Dimming: For matching WAC special appliances, see accessories
- Net Weight: 0.17Kg without packing

### Order Model

Model	LED	Drive	Beam	CRI	CCT	Finish
SLIR5F LEDme II	LM LED 6W	M MTB driver N Single wire	F 8°~ 40°	9 Ra90	30 3000K	BK Black
				A Ra97	40 4000K	
SLIR5F	LM	M	F	9	30	BK

Example: SLIR5FLM-M-F930BK

Note: Appliances are not included in the model

# LEDME II - MODEL: SLIR5FLM

## Recessed Showcase Lighting

# WAC LIGHTING

Responsible Lighting®

PROJECT:

TYPE:

### Accessory

Note: SLIR5 original lamp input wire length is about 0.5 meters.

#### MTB-CABLE-1000-BK

Special extension cable: used between MTB power splitter and SLIR5 showcase lamp, total length 1m,

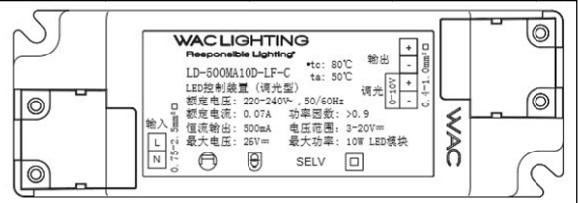


Dedicated MTB power dividers and extension cords must be ordered separately (<http://www.waclighting.com.cn/products/detail/3147>).

#### 4LD-500MA10D-LF-C

SLIR5FLM-N Special electrical appliance:

input 220V~240V AC / 50Hz, output 500mA, 3~20V  
Support 0-10V dimming  
dimension (L\*W\*H): 121\*41\*22



Note: SLIR5FLM-N original lamp input wire length is about 0.3 meters. SLIR5FLM-N special

### LIGHT DISTRIBUTION@3000K LUMINAIRE DATA

MODEL	SLIR5FLM Narrow Angle	MODEL:	SLIR5FLM Wide Angle
BEAM ANGLE	8°	BEAM ANGLE :	40°
POWER :	electrics-free	POWER :	electrics-free
LUMENS :	78lm	LUMENS :	199lm
CBCP :	3098cd	CBCP :	560cd
EFFICACY :	/	EFFICACY :	/

# LEDME II - MODEL: SLIR5FLM-\*R

Recessed Showcase Lighting

# WAC LIGHTING

Responsible Lighting®

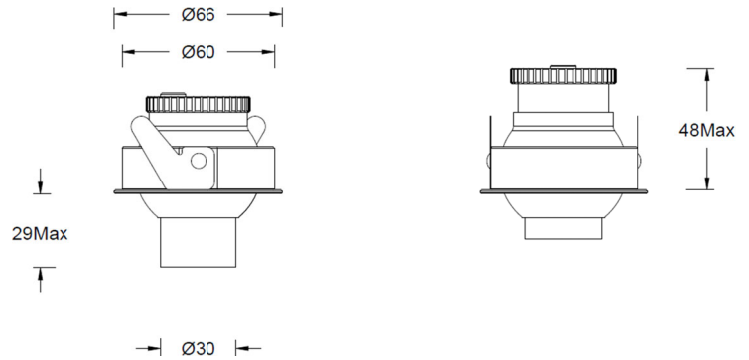
PROJECT:

TYPE:

## Product Image



## Line Drawing



## Product Description

LED me II series display case light products are simple and compact in appearance, using WAC's leading SUBROSA anti-glare technology, with precise adjustable focus lighting design, which can be very convenient to adjust the light spot according to the characteristics of the exhibition. According to different display cases or application scenarios, the creative use of patented structural design, can support the focus operation from the front or from the back (dual use of one lamp), to meet the needs of different exhibitions, suitable for museum display cases and high-end art exhibitions.

### • Product Features

- Body Material: Aluminum alloy die-casting
- Optical System: Zoom optical lens +SUBROSA
- Finish: Liquid spraying, (BK)
- Adjustable Angle: Adjust horizontally in any direction; vertical - 30~30°
- Accessories: Extension cable is optional
- Certification: CQC
- IP Rating: IP20
- Insulation Level: Class III
- Operating Temperature: -20°C~40°C

### Product Specifications

- Cut-out: Ø62mm
- Ceiling Thickness: 5~15mm
- LED Type: High-Power LED
- LED power: 6W
- Source Lm: 480lm(3000K) / 510lm (4000K)
- LED Lifetime: >50000h-L70 / B10-Ta25°C(LM-80/TM-21)
- CCT/CRI: 3000K / 4000K , Ra90或Ra97(>Ra95)
- SDCM: 3 SDCM
- Input: 220~240VAC / 50Hz
- Dimming: For matching WAC special appliances, see accessories
- Net Weight: 0.35Kg without packing

### Order Model

Model	LED	Drive	Beam	CRI	CCT	Finish
SLIR5F LEDme II	LM LED 6W	NR Single Wire ER ON-OFF DR 0-10V Dimming	F 8°~ 40°	9 Ra90 A Ra97	30 3000K 40 4000K	BK Black WT White
SLIR5F	LM	NR	F	9	30	BK

Example: SLIR5FLM-NR-F930BK

WAC Lighting  
www.waclighting.com (US)  
www.waclighting.com.cn (China)

Headquarters  
44 Harbor Park Drive • Port Washington, NY  
Phone (516) 515.5000 • Fax (516) 515.5050

WAC Lighting(Shanghai)  
14, Lane 299, Bi Sheng Road, Shanghai 201204  
Phone (86.21) 3393.3558 • Fax (86.21) 3362.1598

# LEDME II - MODEL: SLIR5FLM-\*R

Recessed Showcase Lighting

# WAC LIGHTING

Responsible Lighting®

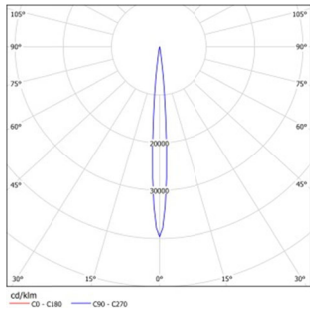
PROJECT:

TYPE:

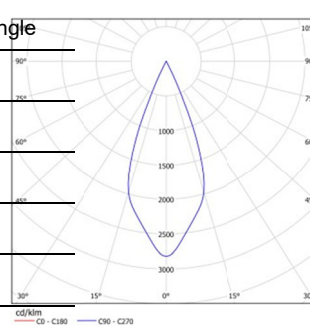
## Accessory

/

## LIGHT DISTRIBUTION@3000K LUMINAIRE DATA



MODEL	SLIR5FLM Narrow Angle
BEAM ANGLE	8°
POWER:	7.5W
LUMENS:	78lm
CBCP:	3098cd
EFFICACY:	10lm/W



MODEL	SLIR5FLM Wide Angle
BEAM ANGLE	40°
POWER:	7.5W
LUMENS:	199lm
CBCP:	560cd
EFFICACY:	27lm/W