

# SILO WALL WASHER- MODEL: TL201



W Track Luminaires

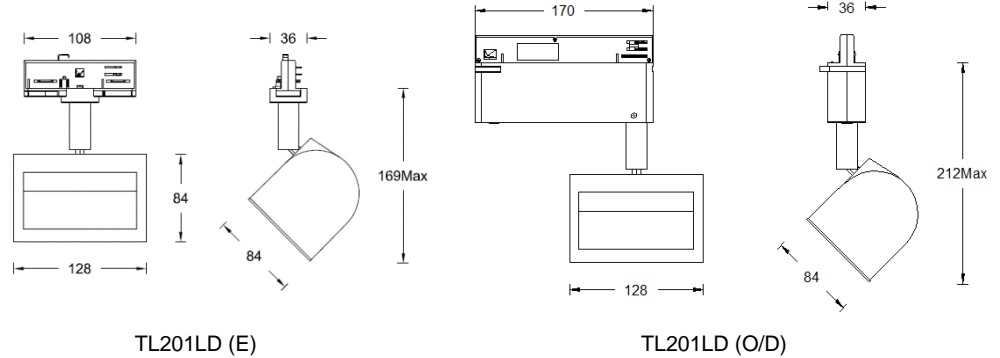
PROJECT:

TYPE:

## Product Image



## Line Drawing



TL201LD (E)

TL201LD (O/D)

## Product Description

The SILO Wall Washer track lamp has simple appearance, streamline shape, well-designed lines and back outline design, making the lamp more three-dimensional and adapting to the current architectural trend. It can meet the strict requirements of lighting designers for vertical lighting, and is dedicated to general museums, art galleries, businesses, offices and other places.

## Product Features

- Body Material: Aluminum alloy die-casting lamp body
- Optical System: Reflector wall wash light distribution
- Finish: Electrostatic powder coating, black (BK), white (WT)
- Adjustable Angle: Horizontal adjustment from 0° to 355°, Vertical 0°~90° adjustment
- Accessories: Optical fittings can be added
- Certification: CCC
- IP Rating: IP20
- Insulation Level: Class I
- Operating Temperature: -20°C~40°C

## Product Specifications

- LED Type: SMD
- LED Power: 17W or 26W optional
- Source Lm: 3000K: 1700lm (17W) / 2660lm (26W)  
4000K: 1820lm (17W) / 2780lm (26W)
- LED Lifetime: >50000h-L70 / B10-Ta25°C(LM-80/TM-21)
- CCT/CRI: 3000K / 4000K, >Ra90
- SDCM: 3 SDCM
- Input: 220V~240V AC / 50Hz
- Dimming: Built in knob dimming (dimming range 10~100%)  
0-10V dimming (Must conduct compatibility testing with the project site in advance)
- Net Weight: 0.6Kg without packing

## Order Model

Model	LED	Dimming	Beam	CRI	CCT	Finish
TL201 SILO Wall Washer	LD17 LED17W LD26 LED26W	O On-board D 0-10V E Non-dimming	W Washer	9 90	30 3000K 40 4000K	WT White BK Black
TL201	LD17	O	W	9	30	WT

Example: TL201LD17-O-W930WT

# SILO WALL WASHER- MODEL: TL201



## W Track Luminaires



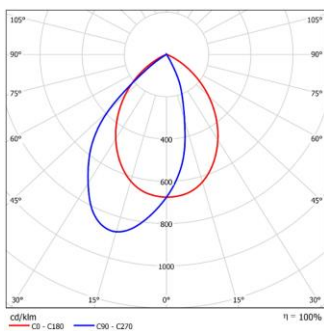
PROJECT:

TYPE:

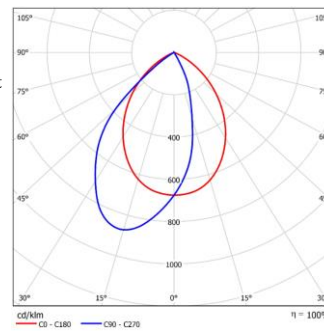
### Accessory

<b>TL-201-30BD</b> White anti-glare four-leaf shade		<b>TL-201-31BD</b> Black anti-glare four-leaf shade	
--------------------------------------------------------	-----------------------------------------------------------------------------------	--------------------------------------------------------	-------------------------------------------------------------------------------------

### LIGHT DISTRIBUTION@3000K LUMINAIRE DATA



**MODEL:** TL201LD17-O-W930  
**BEAM ANGLE:** Wash the wall and distribute light  
**POWER:** 21W  
**LUMENS:** 1000lm  
**CBCP:** /  
**EFFICACY:** 48lm/W



**MODEL:** TL201LD26-O-W930  
**BEAM ANGLE:** Wash the wall and distribute light  
**POWER:** 30W  
**LUMENS:** 1443lm  
**CBCP:** /  
**EFFICACY:** 48lm/W

### Simulated data TL201LD17-O-W930

#### Specifications :

Number of luminaires: n > 5  
 Wall height (m): 4.0  
 Angle of tilt: 30°  
 Offset from wall (m): 1.5  
 Luminaire spacing (m): 1.8

H (m)	Surface illumination (lux)				
	below the luminaire	between the luminaire	below the luminaire	between the luminaire	below the luminaire
3.60	27	25	28	25	28
3.20	60	59	61	59	60
2.80	80	85	79	85	80
2.40	88	96	87	96	89
2.00	89	96	87	96	88
1.60	85	90	84	91	84
1.20	78	81	77	82	77
0.80	71	73	71	73	70
0.40	65	67	64	67	64

#### Specifications :

Number of luminaires: n > 5  
 Wall height (m): 4.0  
 Angle of tilt: 30°  
 Offset from wall (m): 1.2  
 Luminaire spacing (m): 1.6

H (m)	Surface illumination (lux)				
	below the luminaire	between the luminaire	below the luminaire	between the luminaire	below the luminaire
3.60	45	40	47	40	47
3.20	104	101	105	101	104
2.80	131	136	129	136	131
2.40	133	140	131	141	133
2.00	124	129	123	130	123
1.60	107	111	107	112	107
1.20	90	93	90	93	90
0.80	77	78	77	79	76
0.40	67	69	68	69	67