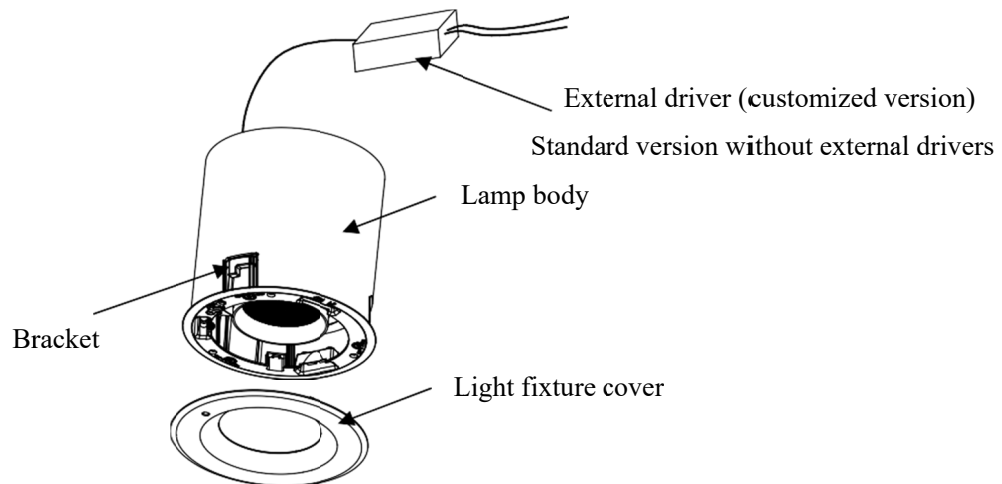


## Installation Precautions:

1. Please read through the Instructions before installation.
2. The product should be installed by a professional electrician.
3. Make sure the power supply is cut off before installation and maintenance, to avoid the risk of electric shock.
4. The installation of lighting fixtures must comply with the corresponding local laws and regulations.
5. This lamp is only suitable for indoor installation (not suitable for humid environments).
6. The interior of this lamp is controlled by a precision motor. Please handle it with care during installation, disassembly, handling, and transportation. Excessive impact force may cause damage to the internal gears of the motor, leading to improper control.
7. Do not install the lighting fixtures on unstable and unstable skylights to prevent them from falling.
8. Properly keep the instruction manual for reference during use.

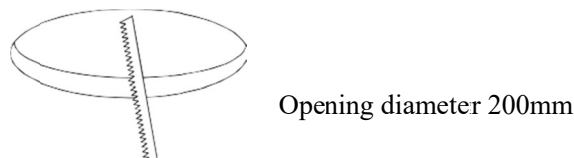
## Light fixture component diagram:

Remove the lamp from the packaging box, as shown in the component diagram below

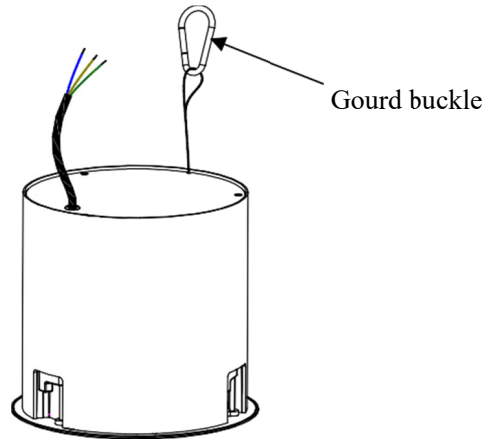


## Lamp installation (2.4G version):

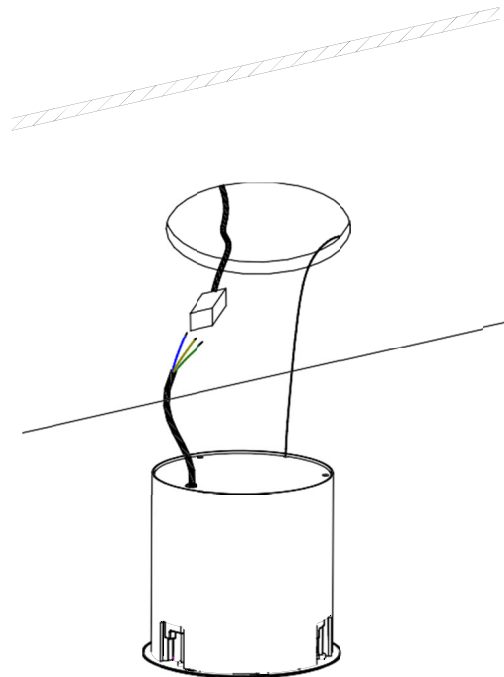
1. As shown in the following figure, holes should be made at the installation location with a diameter of 200mm (the ceiling thickness should be within 1-26mm).



2. Pull out the anti fall suspension wire with a gourd buckle on the back of the lamp with a diameter of 200mm and thread it through the ceiling opening to secure it at the ceiling fixing point. As shown in the following diagram.



3. Connect the mains power cord and the lamp power cord together using a waterproof junction box as shown in the diagram (the junction box is not included in the diagram), as shown in the following figure. Note: If it is a customized version of an external drive appliance, the input end of the external drive appliance must be connected to the mains at the same time.



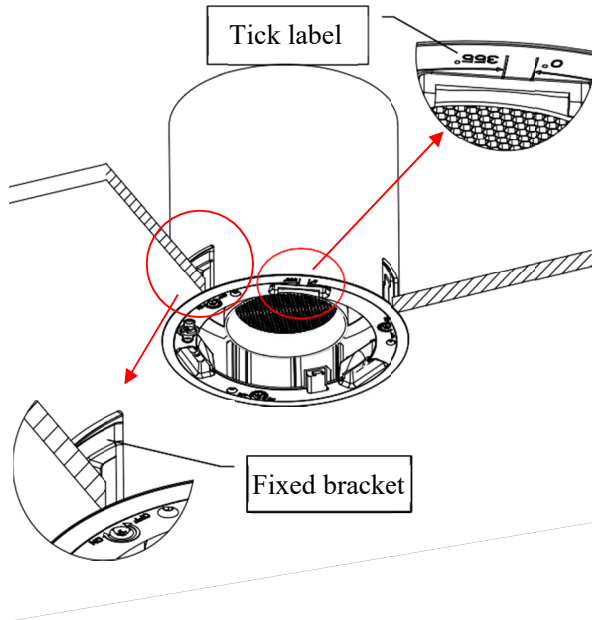
#### 4. Steps for installing lighting fixtures into the ceiling

- a. Install the wired lighting fixture into the ceiling opening until the front frame of the fixture is tightly attached to the ceiling. The 0-355 Å scale on the lamp is marked as a reference alignment reference point, which facilitates unified direction during control. As shown in Figure 1 below:

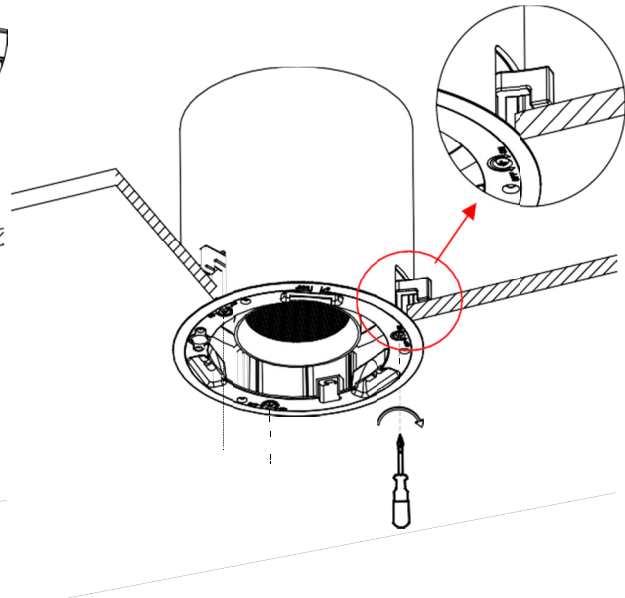
Note: When installing, it is important to note that the three fixed brackets are located inside the grooves and at the top of the grooves (as shown in Figure 1 below).

- b. Use cross screws to tighten the three screws in the right direction as shown in the diagram until the lamp is fixed (as shown in Figure 2).

Note: To ensure the installation and fixation of the lighting fixtures are intact, they can be manually rotated clockwise/counterclockwise and pulled downwards after installation. If the lighting fixtures are not loose, it indicates that the installation is intact.



(Figure 1)

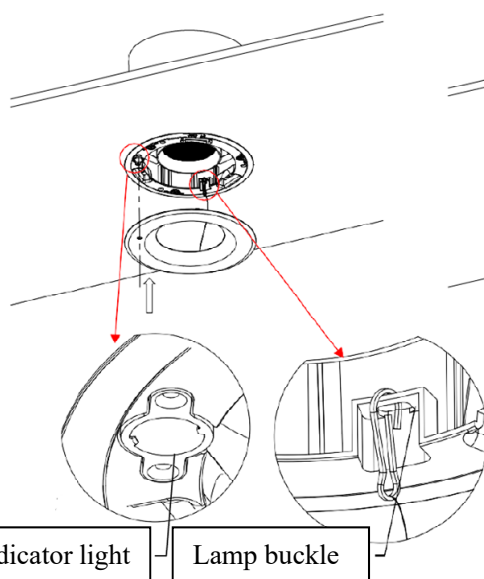


(Figure 2)

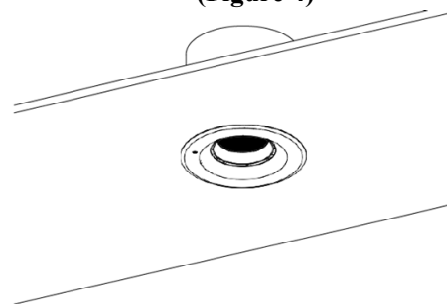
## 5. Panel mounting

- As shown in Figure 3, cover the surface with a red bile buckle and fasten it into the buckle position of the lighting fixture on the ceiling.
- As shown in Figure 3, align the signal hole on the cover with the signal indicator light on the lamp, and clip the cover into the lamp until the edge of the cover is flush with the ceiling, completing the installation.
- Complete the installation as shown in Figure 4.

(Figure 3)



(Figure 4)



## Instructions for using the remote control:

### 1. To the user

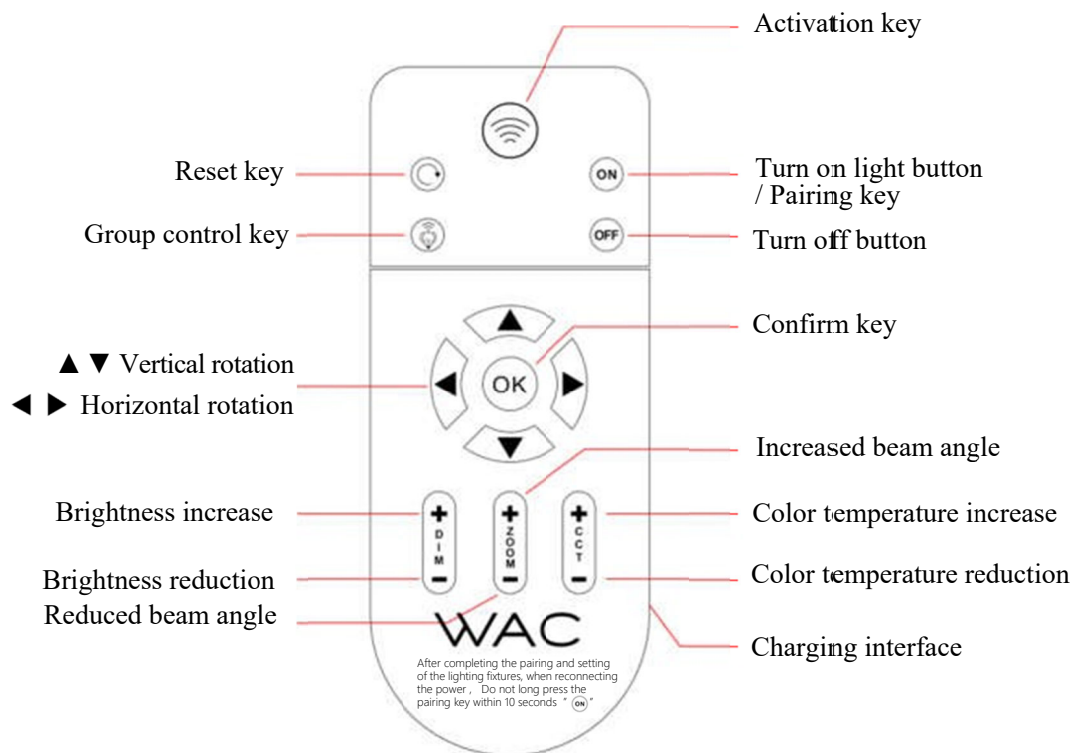
Please read this manual carefully and store it properly for reference before using the product.

If there are any abnormal issues, please communicate with WAC technical personnel to obtain the latest information.

### 2. Product Introduction

This remote control is a dedicated remote control for the remote control lamp series, using a 2.4G wireless transmission scheme, with low power consumption, strong anti-interference ability, and stable control; adopting button operation, it is easy to set up, operate, and has a simple appearance, bringing users a more convenient and fast user experience.

### 3. Remote control button function description:



### 4. Matching, activation, and operation sequence of remote control and lighting fixtures:

Step 1: Pairing the remote control with the lighting fixture;


Step 2: Use the remote control to activate the lighting fixture;

Step 3: Use the remote control to operate and control the lighting fixtures.

### 5. Remote control pairing operation instructions:

a. Turn on the power to the lamp, and at this time, the red indicator light in the lamp signal window area will


light up and be accompanied by a beep sound prompt;


b. Long press the on/pairing button “


**Notes:**


- (a) Please complete the pairing operation before the beep stops.
- (b) Group control activation method can be used to confirm successful pairing. After the group control is activated, the red indicator light in the signal window area turns green. For specific operation steps, please refer to the next section "Activation & Lock Operation Instructions".
- (c) Each remote control can be paired with 10 lighting fixtures, and 10 lighting fixtures can also be paired simultaneously to shorten the pairing operation steps and time.
- (d) If there are more than 10 lighting fixtures in a space, they need to be paired separately in subdivided areas. For example: There are 50 lighting fixtures in one space, and it is recommended to pair them separately in at least 5 different areas; Meanwhile, when pairing one area, the other four areas need to be powered off/disconnected.

**6. Activation & Lock Operation Instructions**

a. Single lamp activation: After successfully pairing the lamps, press and hold the activation button “

b. Multiple lighting fixtures activated: After multiple lighting fixtures are successfully paired, press and hold the group control button “

c. Lamp locking operation: In the activated state of the lamp, quickly press the confirm button “


d. When the lighting fixture is activated, long press the confirm button “

**Notes:**

- (a) After the installation of the lighting fixture is completed, to prevent accidental operation, the fixture will automatically enter the locked state after 5 minutes of normal operation.
- (b) If multiple lamps are in the activated state and one lamp needs to be controlled separately, all lamps need to be locked first (refer to step c), and then activated according to step a to operate and control a single lamp.
- (c) When the remote control is not paired with the lamp or is not successfully paired, following step a can also change the indicator light of the lamp from red to green, but the lamp will not be controlled by the remote control.

**7. Other instructions**

a. The remote control adopts a built-in lithium battery design, with a Micro USB charging interface on the side, and a rated input of DC5V 1A. The corresponding USB output interface can be used for power replenishment.

b. Reset operation: When the lamp is in the active state, long press the reset button “

---

Licensed by "WAC" trademark holder - WAC LIGHTING, USA  
Chinese Marketing Headquarters : WAC Lighting (Shanghai) Co, Ltd.  
Address : 14, Lane 299, Bi Sheng Road, Shanghai 201204, China  
China factory : Manufactured WAC Lighting (Dongguan) Co, Ltd.  
Address : 390, Qingfeng Road, Qingxi Town, Dngguan, Guangdong. Postal code: 523653

to its factory settings. After restoring the factory settings, turn off the power for 5 seconds and then turn it back on for the remote control to pair successfully.

c. After pairing and setting the lighting fixtures, do not press and hold the remote control pairing button “ON” for 10 seconds when turning on the power again to avoid confusion caused by repeated pairing of different remote controls.

d. This lamp adopts a memory function chip, and after disconnecting and turning on the power again, the lamp remains in the pre power off setting state.

