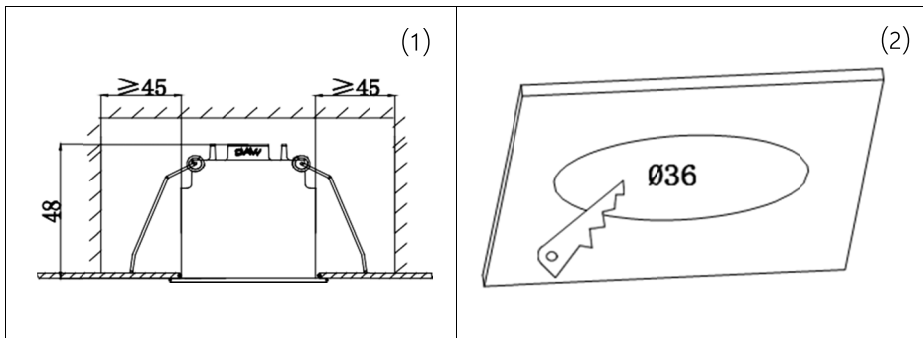


Installation Precautions:

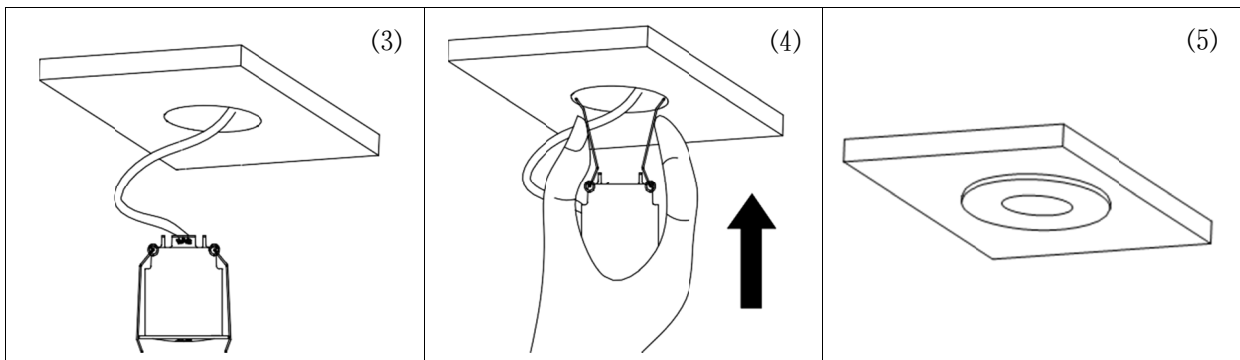
1. Please read through the Instructions before installation.
2. The product should be installed by a professional electrician.
3. Make sure the power supply is cut off before installation and maintenance, to avoid the risk of electric shock.
4. Luminaires can be embedded into the ceiling surface for installation, but do not cover them with insulation or flammable materials to avoid causing a fire.
5. During installation, it was found that the glass protective cover was damaged and must be replaced. The lighting fixtures can only be used with complete protective covers.
6. Do not install the lighting fixtures on unstable and unstable skylights to prevent them from falling.
7. Please keep this Instruction properly for future reference.

Installation and wiring of lighting fixtures:

1. Confirm if there is enough space on the ceiling to install lighting fixtures, as shown in Figure 1.
2. Digging diameter on the ceiling $\phi 36\text{mm}$ circular hole with a ceiling thickness of 1-25mm, as shown in Figure 2.

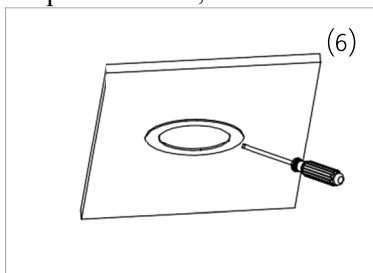


3. After connecting the power cord to the driver, send the wire and driver to the ceiling, as shown in Figure 3.
4. After breaking the spring to the state shown in Figure 4, it is sent to the ceiling. After hanging the digging holes at both ends of the spring, the lamp is pushed in until it is level with the ceiling, as shown in Figure 5.



Dismantling and maintenance:

5. Disconnect the power supply, use your hand or a flat screwdriver to lift a slight edge, and then forcefully pull out the lamp downwards, as shown in Figure 6. (Be careful to prevent spring rebound from injuring your hands)

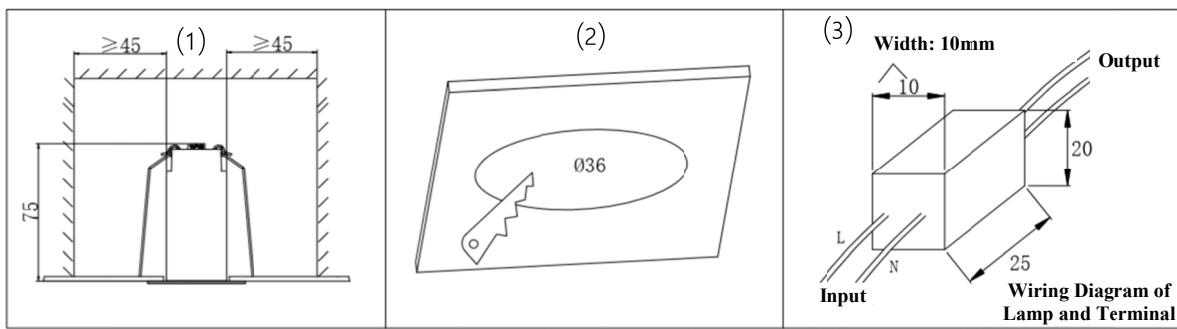


Installation Precautions:

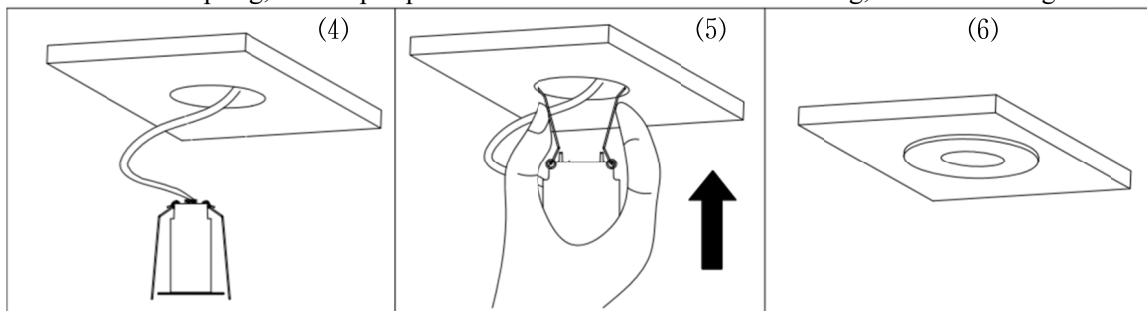
1. Please read through the Instructions before installation.
2. The product should be installed by a professional electrician.
3. Make sure the power supply is cut off before installation and maintenance, to avoid the risk of electric shock.
4. Luminaires can be embedded into the ceiling surface for installation, but do not cover them with insulation or flammable materials to avoid causing a fire.
5. During installation, it was found that the glass protective cover was damaged and must be replaced. The lighting fixtures can only be used with complete protective covers.
6. Do not install the lighting fixtures on unstable and unstable skylights to prevent them from falling.
7. Please keep this Instruction properly for future reference.

Installation and wiring of lighting fixtures:

1. Confirm if there is enough space on the ceiling to install lighting fixtures, as shown in Figure 1.
2. Digging diameter on the ceiling $\phi 36\text{mm}$ circular hole with a ceiling thickness of 1-25mm, as shown in Figure 2.

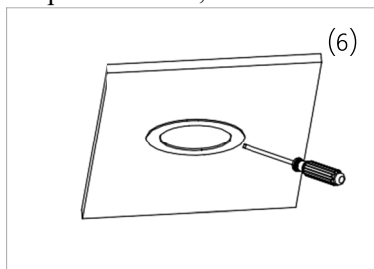


3. If the electrical appliance comes with its own lead and this connecting lead needs to be connected to an independent terminal block (refer to Figure 3), the size of each terminal block should not be less than 10x20x25mm.
4. After connecting the power cord to the driver, send the wire and driver to the ceiling, as shown in Figure 4.
5. After breaking the spring to the state shown in Figure 5, it is sent to the ceiling. After hanging the digging holes at both ends of the spring, the lamp is pushed in until it is level with the ceiling, as shown in Figure 5.



Dismantling and maintenance:

6. Disconnect the power supply, use your hand or a flat screwdriver to lift a slight edge, and then forcefully pull out the lamp downwards, as shown in Figure 6. (Be careful to prevent spring rebound from injuring your hands)

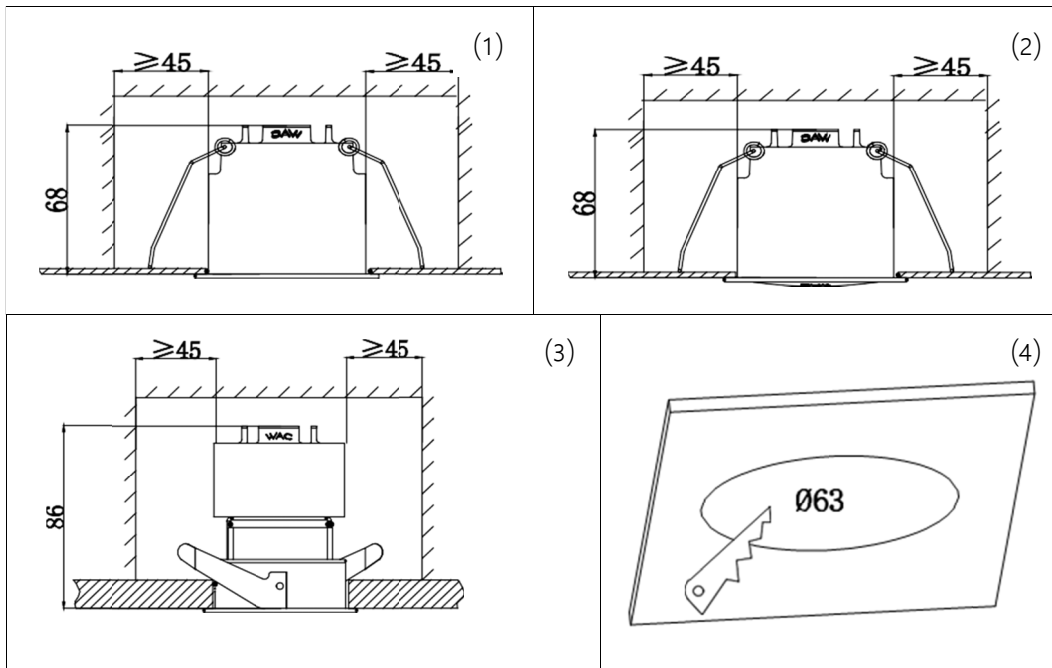


Installation Precautions:

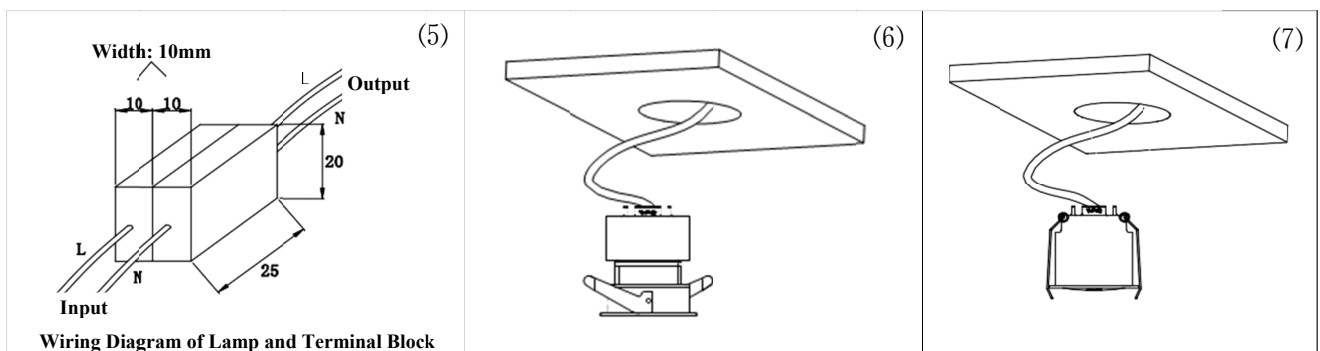
1. Please read through the Instructions before installation.
2. The product should be installed by a professional electrician.
3. Make sure the power supply is cut off before installation and maintenance, to avoid the risk of electric shock.
4. Luminaires can be embedded into the ceiling surface for installation, but do not cover them with insulation or flammable materials to avoid causing a fire.
5. If the glass cracks, please replace it immediately.
6. Do not install the lighting fixtures on unstable and unstable skylights to prevent them from falling.
7. Please keep this Instruction properly for future reference.

Installation and wiring of lighting fixtures:

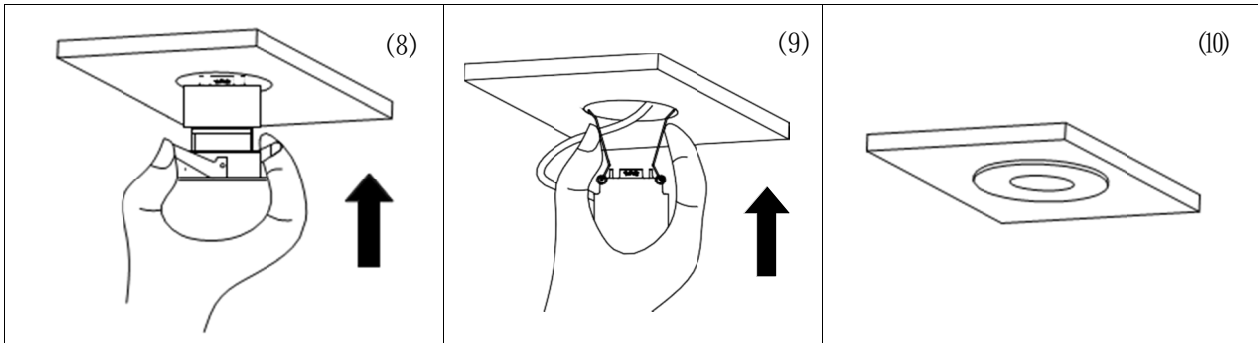
1. Confirm if there is enough space on the ceiling to install lighting fixtures, as shown in Figure 1 (down light), 2 (wall washing), and 3 (adjustable); Ceiling thickness: angle adjustment: 6-16mm. down light and wall washing: 1-25mm.
2. Digging diameter on the ceiling ϕ 63mm circular hole, as shown in Figure 4.



3. If the electrical appliance comes with its own lead and this connecting lead needs to be connected to an independent terminal block (refer to Figure 3), the size of each terminal block should not be less than 10x20x25mm.

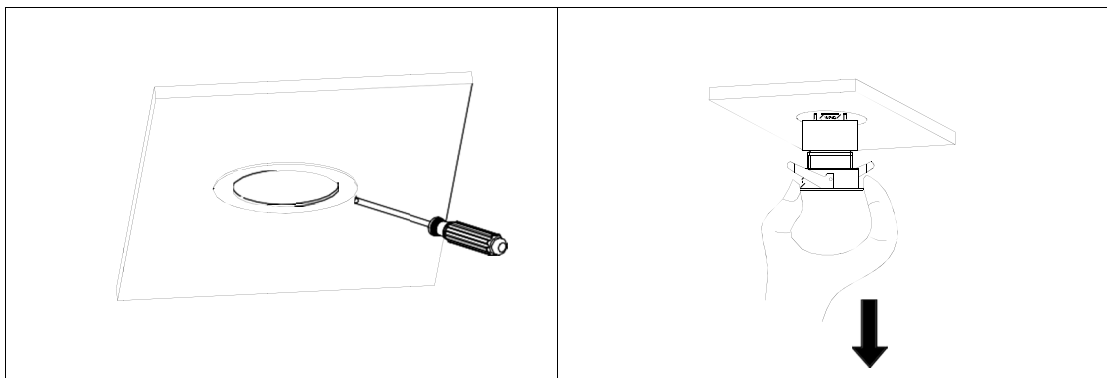


4. After connecting the power cord to the driver, send the wire and driver to the ceiling, as shown in Figure 6 (adjustable) and 7 (down light/wall wash).
5. Installation of adjustable fixture: After adjusting the angle, press the spring with your hand and send the lamp into the ceiling. After the spring gets stuck in the excavation hole, fully push the lamp in until it is flush with the ceiling, as shown in Figures 8 and 10.
6. Installation of down lighting/wall washing fixture: The body of the bottom lighting and wall washing lamps is shared, and the installation method is the same. After breaking the spring to the state shown in Figure 9, it is sent to the ceiling. After hanging the holes at both ends of the spring, the lamp is pushed in until it is flush with the ceiling, as shown in Figure 10.



Dismantling and maintenance:

1. Disconnect the power supply, use your hand or a flat screwdriver to lift a slight edge, and then forcefully pull out the lamp downwards, as shown in Figure 6.(Be careful to prevent spring rebound from injuring your hands).



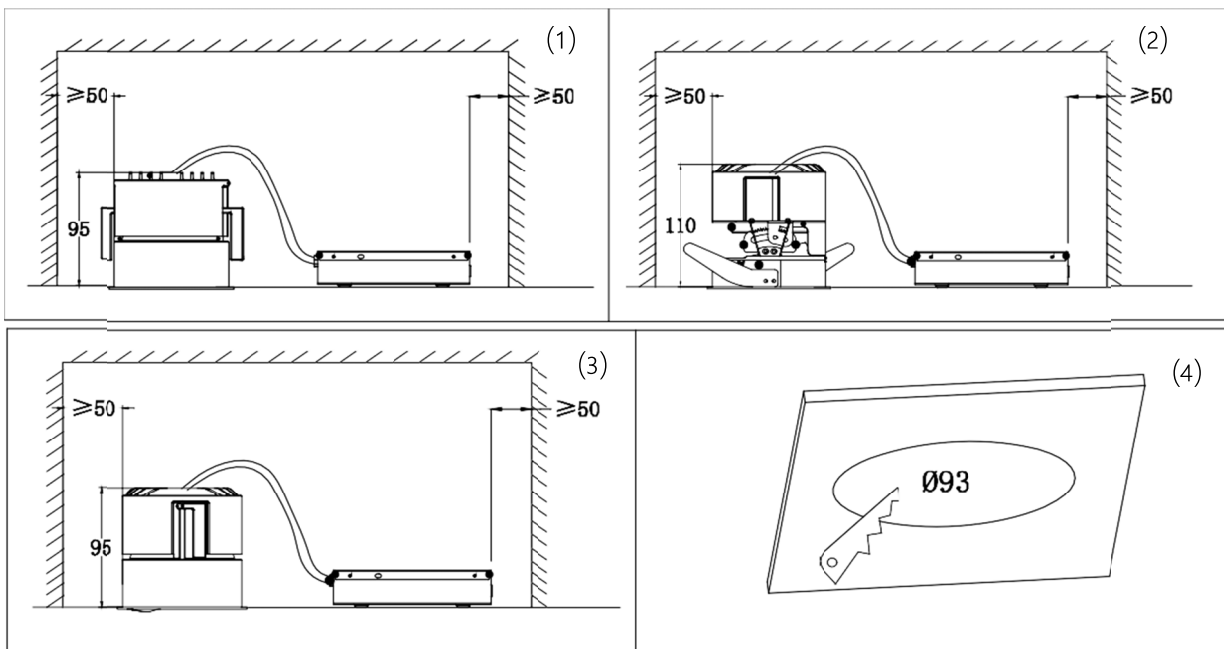
2. Removal of lighting fixtures for down light/wall washing: In the opposite order to the installation steps, disconnect the power supply, use your hand or a flat screwdriver to lift a slight edge, and then forcefully pull out the lighting fixture downwards (be careful to prevent the spring from rebounding and damaging your hands).

Installation Precautions:

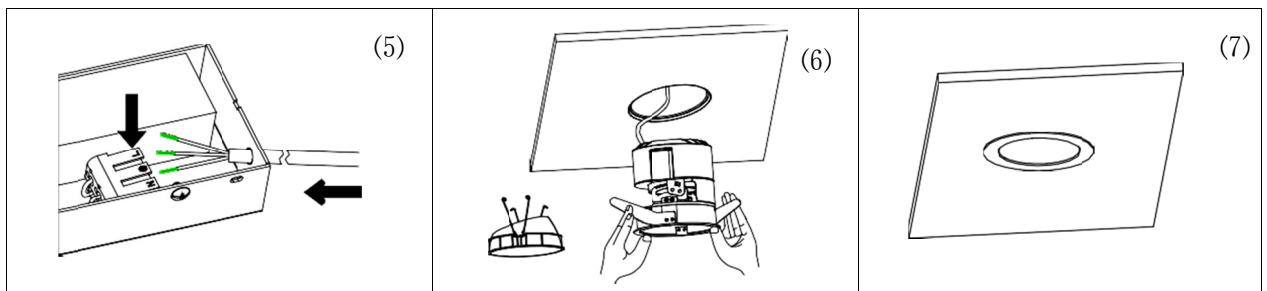
1. Please read through the Instructions before installation.
2. The product should be installed by a professional electrician.
3. Make sure the power supply is cut off before installation and maintenance, to avoid the risk of electric shock.
4. Luminaires can be embedded into the ceiling surface for installation, but do not cover them with insulation or flammable materials to avoid causing a fire.
5. If the glass cracks, please replace it immediately.
6. Do not install the lighting fixtures on unstable and unstable skylights to prevent them from falling.
7. Please keep this Instruction properly for future reference.

Installation and wiring of lighting fixtures:

1. Confirm if there is enough space on the ceiling to install lighting fixtures, as shown in Figure 1 (down light), 2 (adjustable), and 3 (wall washing); Ceiling thickness: 1-40mm for down light and wall washing, 1-25mm for adjustable.
2. Digging diameter on the ceiling ϕ 93mm circular hole, as shown in Figure 4.

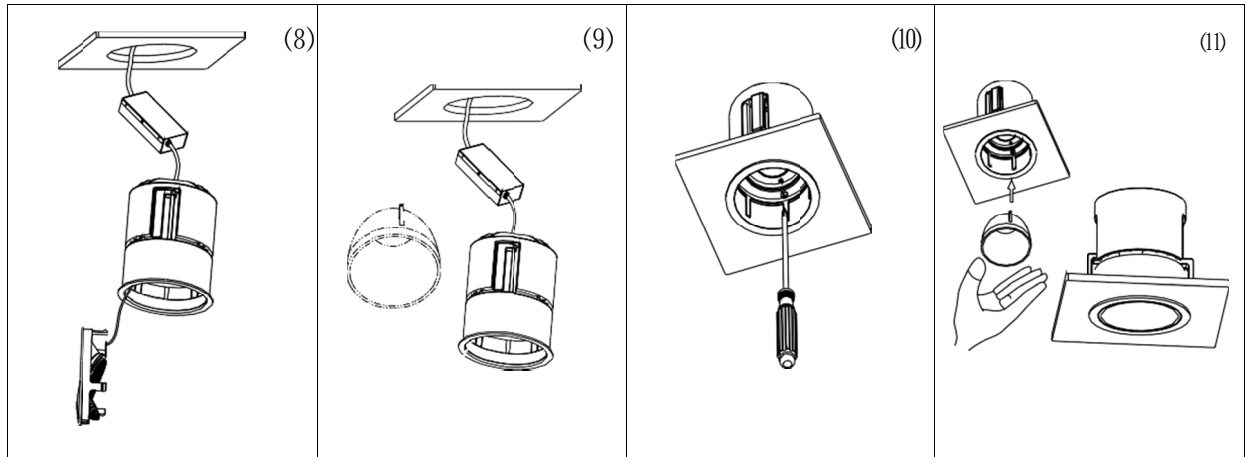


3. Open the junction box and insert the correct power input line according to the information marked on the connector, as shown in Figure 5.



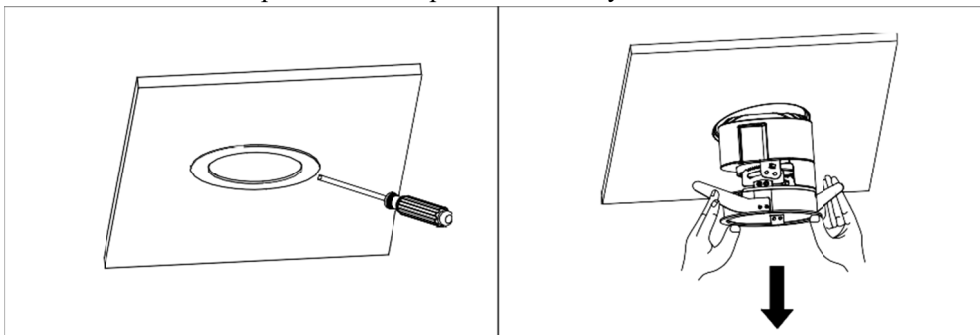
4. Installation of adjustable fixture: Remove the reflector cover, send the wires and junction box into the ceiling, hold the lamp flipping edge with both thumbs, and press the spring towards the direction of the lamp with the other four fingers until the spring enters the ceiling hole, as shown in Figure 6.

5. Hold the body with both hands and insert it into the ceiling hole until the lamp panel is flush with the surface of the ceiling, as shown in Figure 7. After adjusting the angle, place the reflector cover into the lamp.
6. Installation of down light/wall washing fixtures: The two fixture bodies are shared and installed in the same way. Pull out the reflector cover, and send the wires and junction box into the excavation hole on the ceiling, as shown in Figure 8 (wall washing)/Figure 9 (down light). Attach the body tightly to the ceiling, hold down the fixture frame with one hand, and use upward force with the other hand to rotate the installation screw clockwise until the installation bracket clamps onto the ceiling, as shown in Figure 10. Then, install the reflector cover into the lamp frame, as shown in Figure 11.

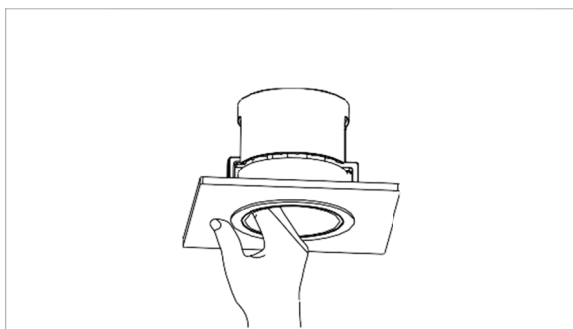


Dismantling and maintenance:

1. Dismantling of adjustable fixture: Disconnect the power, use your hand or a flat screwdriver to lift a slight flange, and then rotate the lamp clockwise to pull out the body.



2. Removal of down light fixture: Use your hand or a flat screwdriver to pry up the small edge of the reflector cover and remove it; Rotate the installation screw counterclockwise until the bracket is screwed into the radiator to remove the lamp. Note: If using electric tools, the torque should not be too high.
3. Removal of wall washing fixture: It is easy to remove the reflector cover by hand, and the remaining steps are the same as those for lighting fixtures below.

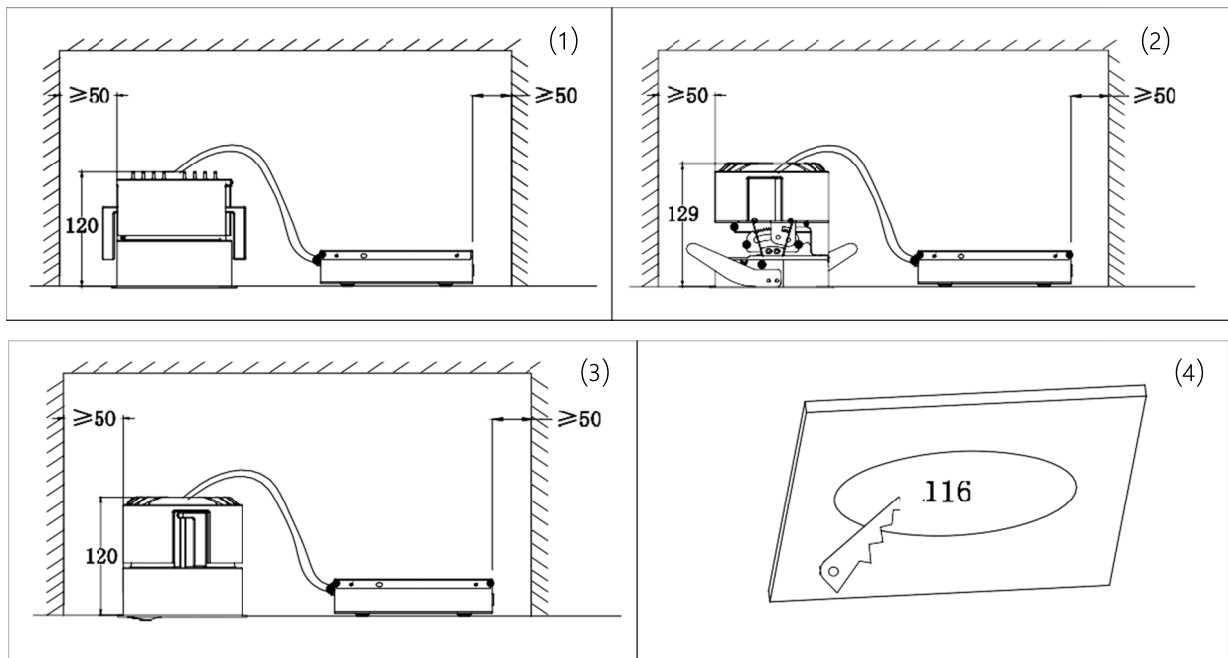


Installation Precautions:

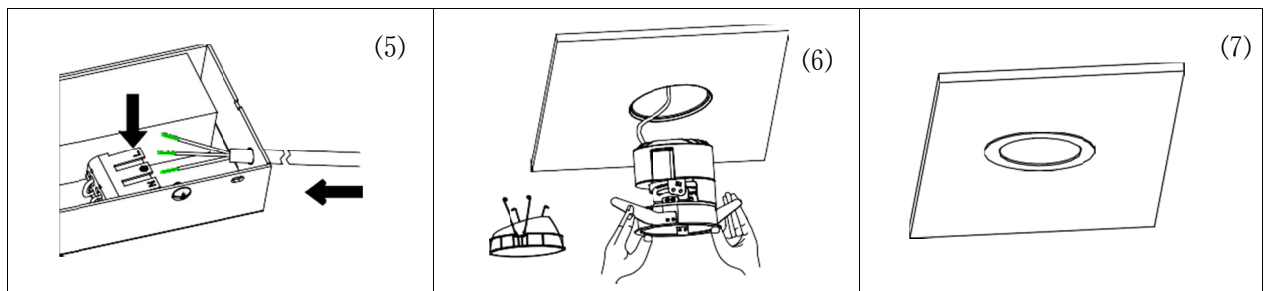
1. Please read through the Instructions before installation.
2. The product should be installed by a professional electrician.
3. Make sure the power supply is cut off before installation and maintenance, to avoid the risk of electric shock.
4. Luminaires can be embedded into the ceiling surface for installation, but do not cover them with insulation or flammable materials to avoid causing a fire.
5. If the glass cracks, please replace it immediately.
6. Do not install the lighting fixtures on unstable and unstable skylights to prevent them from falling.
7. Please keep this Instruction properly for future reference.

Installation and wiring of lighting fixtures:

1. Confirm if there is enough space on the ceiling to install lighting fixtures, as shown in Figure 1 (down light), 2 (adjustable), and 3 (wall washing); Ceiling thickness: 1-40mm for down light and wall washing, 1-25mm for adjustable.
2. Digging diameter on the ceiling ϕ 116mm circular hole, as shown in Figure 4.

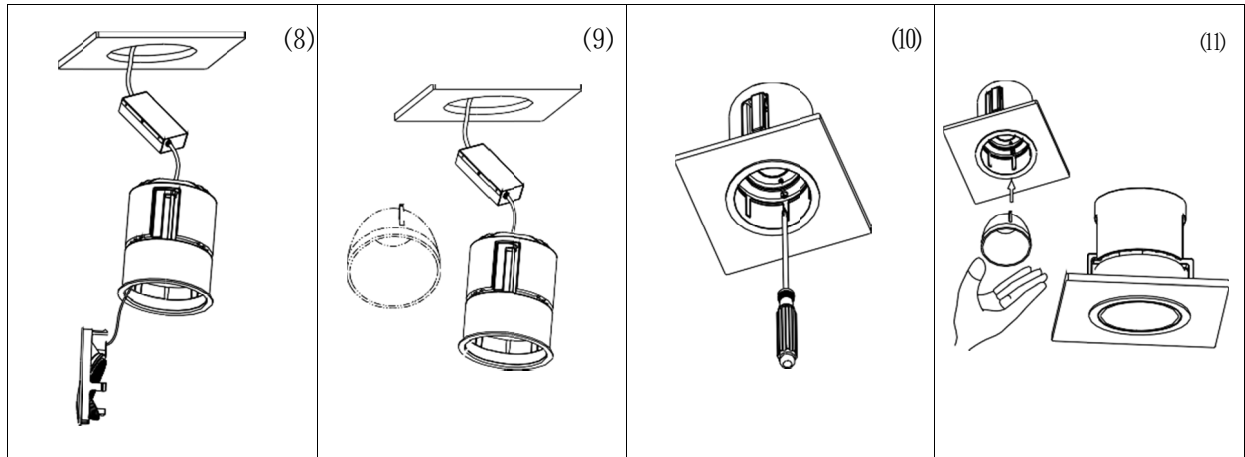


3. Open the junction box and insert the correct power input line according to the information marked on the connector, as shown in Figure 5.



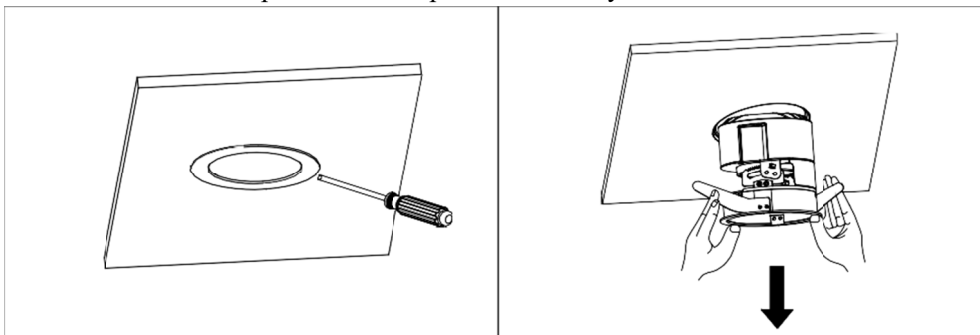
4. Installation of adjustable fixture: Remove the reflector cover, send the wires and junction box into the ceiling, hold the lamp flipping edge with both thumbs, and press the spring towards the direction of the lamp with the other four fingers until the spring enters the ceiling hole, as shown in Figure 6.

- Hold the body with both hands and insert it into the ceiling hole until the lamp panel is flush with the surface of the ceiling, as shown in Figure 7. After adjusting the angle, place the reflector cover into the lamp.
- Installation of down light/wall washing fixtures: The two fixture bodies are shared and installed in the same way. Pull out the reflector cover, and send the wires and junction box into the excavation hole on the ceiling, as shown in Figure 8 (wall washing)/Figure 9 (down light). Attach the body tightly to the ceiling, hold down the fixture frame with one hand, and use upward force with the other hand to rotate the installation screw clockwise until the installation bracket clamps onto the ceiling, as shown in Figure 10. Then, install the reflector cover into the lamp frame, as shown in Figure 11.

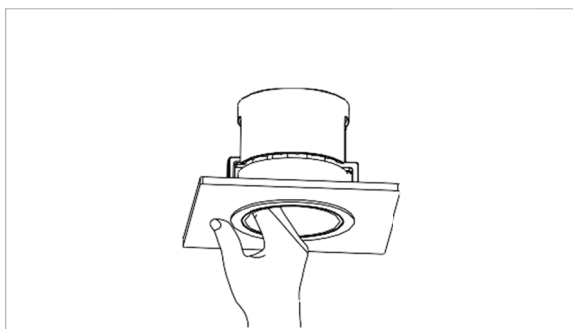


Dismantling and maintenance:

- Dismantling of adjustable fixture: Disconnect the power, use your hand or a flat screwdriver to lift a slight flange, and then rotate the lamp clockwise to pull out the body.



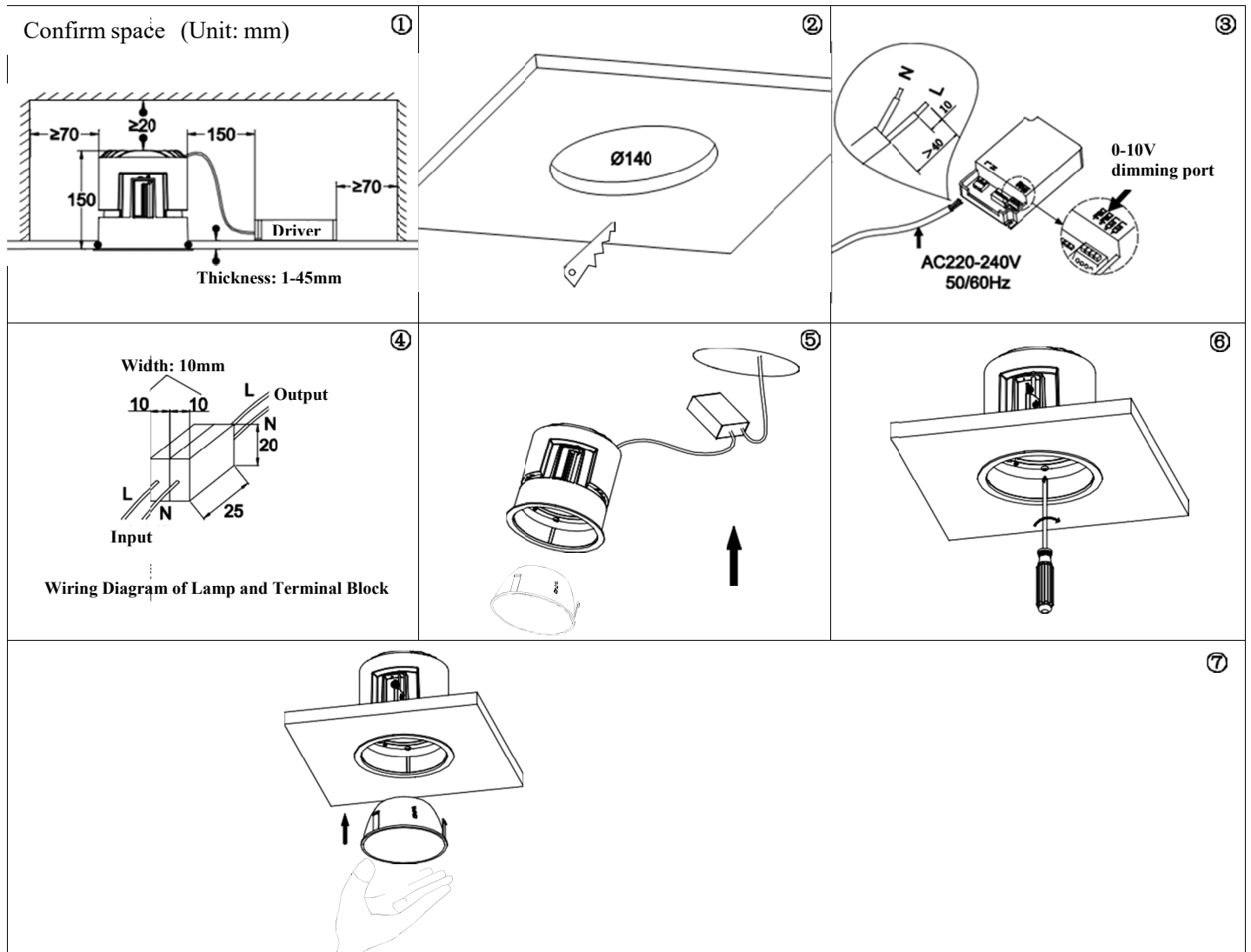
- Removal of down light fixture: Use your hand or a flat screwdriver to pry up the small edge of the reflector cover and remove it; Rotate the installation screw counterclockwise until the bracket is screwed into the radiator to remove the lamp. Note: If using electric tools, the torque should not be too high.
- Removal of wall washing fixture: It is easy to remove the reflector cover by hand, and the remaining steps are the same as those for lighting fixtures below.



Installation Precautions:

1. Please read through the Instructions before installation.
2. The product should be installed by a professional electrician.
3. Make sure the power supply is cut off before installation and maintenance, to avoid the risk of electric shock.
4. Luminaires can be embedded into the ceiling surface for installation, but do not cover them with insulation or flammable materials to avoid causing a fire.
5. If the glass cracks, please replace it immediately.
6. Do not install the lighting fixtures on unstable and unstable skylights to prevent them from falling.
7. Please keep this Instruction properly for future reference.

Installation and wiring of lighting fixtures:



* If the electrical appliance of the lamp comes with a lead wire, and this connecting lead wire needs to be connected to an independent terminal block (refer to the schematic diagram in Figure 4 for wiring), the size of each terminal block should not be less than 10x20x25mm.

* Light fixtures without electrical appliances, which have brown blue lead wires, cannot be directly connected to 220V AC power. The customer provides their own electrical appliances, which need to be matched with a light source.