

# FALCON SQUARE - MODEL: DLP13

Recessed Ceiling Luminaires

# WAC

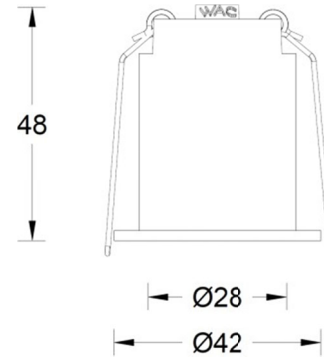
PROJECT:

TYPE:

## Product Image



## Line Drawing



## Product Description

The PLANA series lower light tube lamp has a delicate and simple appearance, using SUBROSA hidden light technology, with precise light distribution and ultimate anti glare effect. Mainly suitable for hotels and commercial public spaces.

## Product Features

- Body Material: Die-cast aluminum body
- Optical System: Lens+ SUBOROSA optical system
- Finish: Electrostatically powder coated White, Black
- Adjustable Angle: /
- Accessories: Honey Comb Louver(Order separately)
- Certification: CCC
- IP Rating: IP20
- Insulation Level: Class II
- Operating Temperature: -20°C~40°C

## Product Specifications

- Cut-out: Ø36mm
- Ceiling Thickness: 1mm~25mm
- Shielding Angle: 35°
- LED Type: HP LED
- Source Lm: 170lm(2700K) / 175lm(3000K) / 185lm (4000K)
- LED Lifetime: >50000h-L70 /B10-Ta25°C(LM-80/TM-21)
- CCT/CRI: 2700K/ 3000K/ 4000K, Ra90
- SDCM: 3 SDCM
- Input: 220V~240V AC / 50Hz
- Dimming: No dimming
- Net Weight: 0.15Kg without packing

## Order Model

Model	Size	Trim	LED	Driver	CCT	Beam	Reflector	Finish
<b>DLP</b> Downlight P series	1 1"	3 Round Trim	<b>LD02</b> LED 2W	E ON-OFF N NO DRIVER	27 2700K	S 8°	B Black S Specular	WT White
					30 3000K	1 15°		
					40 4000K	2 24°		
						3 36°		
						5 50°		

Example: DLP13-LD02E-302BWT

WAC Lighting  
www.waclighting.com (US)  
www.waclighting.com.cn (China)

Headquarters  
44 Harbor Park Drive • Port Washington, NY  
Phone (516) 515.5000 • Fax (516) 515.5050

WAC Lighting(Shanghai)  
14,Lane 299, Bi Sheng Road, Shanghai 201204,China  
Phone (86.21) 3393.3558 • Fax (86.21) 3362.1598

WAC Lighting reserves the right to periodically design and update products.2024-01-20

# FALCON SQUARE - MODEL: DLP13

Recessed Ceiling Luminaires



PROJECT:

TYPE:

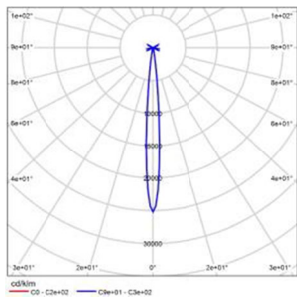
## Accessory

**LENS-08-HCL**  
Honeycomb

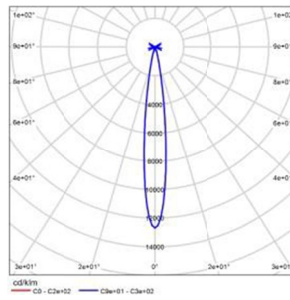


Note: The honeycomb needs to be installed on the back of the reflector and must be ordered separately.

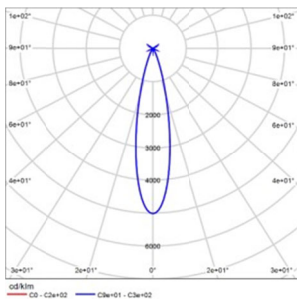
## LIGHT DISTRIBUTION@3000K LUMINAIRE DATA



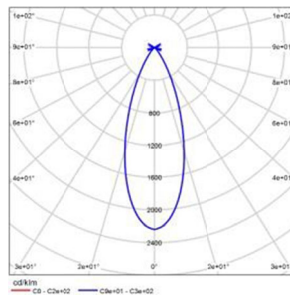
**MODEL:** DLP13-LD02E-30SBWT  
**BEAM ANGLE:** 8°  
**POWER:** 4W  
**LUMENS:** 771lm  
**CBCP:** 1932cd  
**EFFICACY:** 19lm/W



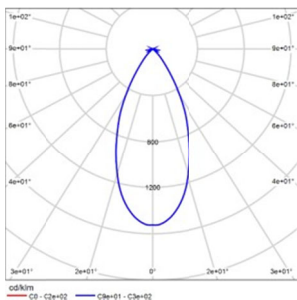
**MODEL:** DLP13-LD02E-301BWT  
**BEAM ANGLE:** 15°  
**POWER:** 4W  
**LUMENS:** 104lm  
**CBCP:** 1322cd  
**EFFICACY:** 26lm/W



**MODEL:** DLP13-LD02E-302BWT  
**BEAM ANGLE:** 24°  
**POWER:** 4W  
**LUMENS:** 139lm  
**CBCP:** 699cd  
**EFFICACY:** 35lm/W



**MODEL:** DLP13-LD02E-303BWT  
**BEAM ANGLE:** 35°  
**POWER:** 4W  
**LUMENS:** 125lm  
**CBCP:** 279cd  
**EFFICACY:** 31lm/W



**MODEL:** DLP13-LD02E-305BWT  
**BEAM ANGLE:** 50°  
**POWER:** 4W  
**LUMENS:** 112lm  
**CBCP:** 171cd  
**EFFICACY:** 28lm/W

# FALCON SQUARE - MODEL: DLP13-LD06

Recessed Ceiling Luminaires

# WAC

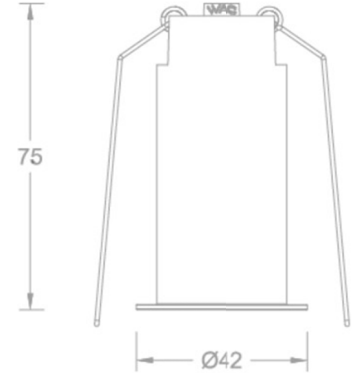
PROJECT:

TYPE:

## Product Image



## Line Drawing



## Product Description

The PLANA series lower light tube lamp has a delicate and simple appearance, using SUBROSA hidden light technology, with precise light distribution and ultimate anti glare effect. Mainly suitable for hotels and commercial public spaces.

## Product Features

- Body Material: Die-cast aluminum body
- Optical System: Lens+ SUBOROSA optical system
- Finish: Electrostatically powder coated White, Black
- Adjustable Angle: /
- Accessories: /
- Certification: CCC
- IP Rating: IP20
- Insulation Level: Class II
- Operating Temperature: -20°C~40°C

## Product Specifications

- Cut-out: Ø36mm
- Ceiling Thickness: 1mm~25mm
- Shielding Angle: 30°
- LED Type: COB
- Source Lm: 570lm(2700K) / 600lm(3000K) / 640lm (4000K)
- LED Lifetime: >50000h-L70 /B10-Ta25°C(LM-80/TM-21)
- CCT/CRI: 2700K/ 3000K/ 4000K, Ra90
- SDCM: 3 SDCM
- Input: 220V~240V AC / 50Hz
- Dimming: No dimming, 0-10V(compatibility testing must be conducted with the project site system in advance)
- Net Weight: 0.2Kg without packing

## Order Model

Model	Size	Trim	LED	Driver	CCT	Beam	Reflector	Finish
<b>DLP</b>	<b>1</b>	<b>3</b>	<b>LD06</b>	<b>E ON-OFF</b>	<b>27 2700K</b>	<b>1 15°</b>	<b>B Black</b>	<b>WT White</b>
Downlight	1"	Round Trim	COB 6W	<b>D 0-10V</b>	<b>30 3000K</b>	<b>2 24°</b>	<b>S Specular</b>	
P series				<b>N NO DRIVER</b>	<b>40 4000K</b>	<b>3 36°</b>		

Example: DLP13-LD06D-230BWT

WAC Lighting  
www.waclighting.com (US)  
www.waclighting.com.cn (China)

Headquarters  
44 Harbor Park Drive • Port Washington, NY  
Phone (516) 515.5000 • Fax (516) 515.5050

WAC Lighting(Shanghai)  
14,Lane 299, Bi Sheng Road, Shanghai 201204,China  
Phone (86.21) 3393.3558 • Fax (86.21) 3362.1598

WAC Lighting reserves the right to periodically design and update products.2024-01-20

# FALCON SQUARE - MODEL: DLP13-LD06

Recessed Ceiling Luminaires

# WAC

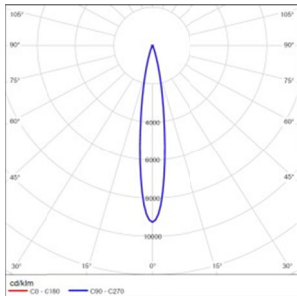
PROJECT:

TYPE:

## Accessory

/

## LIGHT DISTRIBUTION@3000K LUMINAIRE DATA



MODEL: DLP13-LD06D-130BWT

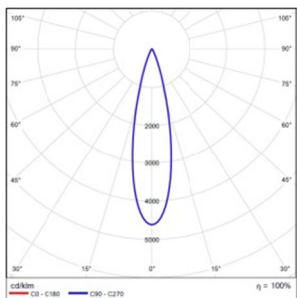
BEAM ANGLE: 15°

POWER: 8W

LUMENS: 352lm

CBCP: 3262cd

EFFICACY: 44lm/W



MODEL: DLP13-LD06D-230BWT

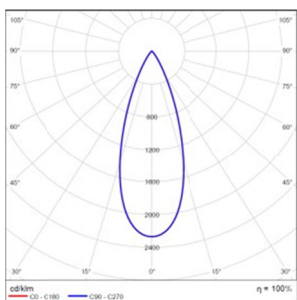
BEAM ANGLE: 24°

POWER: 8W

LUMENS: 442lm

CBCP: 2043cd

EFFICACY: 55lm/W



MODEL: DLP13-LD06D-330BWT

BEAM ANGLE: 36°

POWER: 8W

LUMENS: 449lm

CBCP: 1020cd

EFFICACY: 56lm/W

# FALCON SQUARE - MODEL: DLP23

Recessed Ceiling Luminaires

# WAC

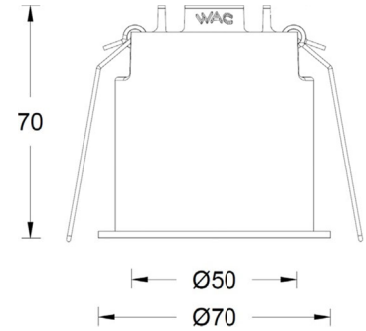
PROJECT:

TYPE:

## Product Image



## Line Drawing



## Product Description

The PLANA series lower light tube lamp has a delicate and simple appearance, using SUBROSA hidden light technology, with precise light distribution and ultimate anti glare effect. Mainly suitable for hotels and commercial public spaces.

## Product Features

- Body Material: Die-cast aluminum body
- Optical System: Lens+ SUBOROSA optical system
- Finish: Electrostatically powder coated White, Black
- Adjustable Angle: /
- Accessories: /
- Certification: CCC
- IP Rating: IP20
- Insulation Level: Class II
- Operating Temperature: -20°C~40°C

## Product Specifications

- Cut-out: Ø63mm
- Ceiling Thickness: 1mm~25mm
- Shielding Angle: 35°
- LED Type: COB
- Source Lm: 800lm/ 8W
- LED Lifetime: >50000h-L70 /B10-Ta25°C(LM-80/TM-21)
- CCT/CRI: 2700K/ 3000K/ 4000K, Ra90
- SDCM: 3 SDCM (4000K 5SDCM)
- Input: 220V~240V AC / 50Hz
- Dimming: No dimming, 0-10V(compatibility testing must be conducted with the project site system in advance)
- Net Weight: 0.45Kg without packing

## Order Model

Model	Size	Trim	LED	Driver	CCT	Beam	Reflector	Finish
<b>DLP</b> Downlight P series	2 2"	3 Round Trim	<b>LD08</b> LED 8W	<b>E</b> ON-OFF	<b>27</b> 2700K	<b>1</b> 15°	<b>B</b> Black <b>S</b> Specular	<b>WT</b> White
				<b>D</b> 0-10V Dimming	<b>30</b> 3000K	<b>2</b> 24°		
				<b>N</b> NO DRIVER	<b>40</b> 4000K	<b>3</b> 36°		
						<b>4</b> 48°		

Example: DLP23-LD08E-302BWT

WAC Lighting  
www.wacighting.com (US)  
www.wacighting.com.cn (China)

Headquarters  
44 Harbor Park Drive • Port Washington, NY  
Phone (516) 515.5000 • Fax (516) 515.5050

WAC Lighting(Shanghai)  
14,Lane 299, Bi Sheng Road, Shanghai 201204,China  
Phone (86.21) 3393.3558 • Fax (86.21) 3362.1598

WAC Lighting reserves the right to periodically design and update products.2024-01-20

# FALCON SQUARE - MODEL: DLP23

Recessed Ceiling Luminaires

# WAC

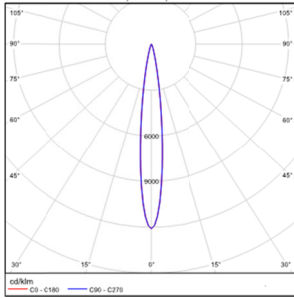
PROJECT:

TYPE:

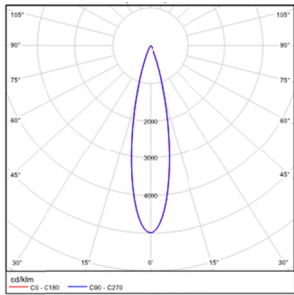
## Accessory

/

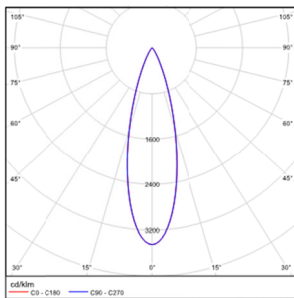
## LIGHT DISTRIBUTION@3000K LUMINAIRE DATA



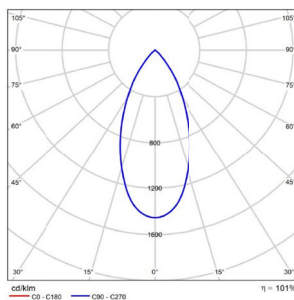
<b>MODEL:</b>	DLP23-LD08E-301SWT
<b>BEAM ANGLE:</b>	15°
<b>POWER:</b>	10W
<b>LUMENS:</b>	546lm
<b>CBCP:</b>	4548cd
<b>EFFICACY:</b>	55lm/W



<b>MODEL:</b>	DLP23-LD08E-302SWT
<b>BEAM ANGLE:</b>	24°
<b>POWER:</b>	10W
<b>LUMENS:</b>	554lm
<b>CBCP:</b>	2022cd
<b>EFFICACY:</b>	55lm/W



<b>MODEL:</b>	DLP23-LD08E-303SWT
<b>BEAM ANGLE:</b>	36°
<b>POWER:</b>	10W
<b>LUMENS:</b>	542lm
<b>CBCP:</b>	1138cd
<b>EFFICACY:</b>	54lm/W



<b>MODEL:</b>	DLP23-LD08E-304SWT
<b>BEAM ANGLE:</b>	36°
<b>POWER:</b>	10W
<b>LUMENS:</b>	498lm
<b>CBCP:</b>	725cd
<b>EFFICACY:</b>	50lm/W

# FALCON SQUARE - MODEL: DLP33

Recessed Ceiling Luminaires

# WAC

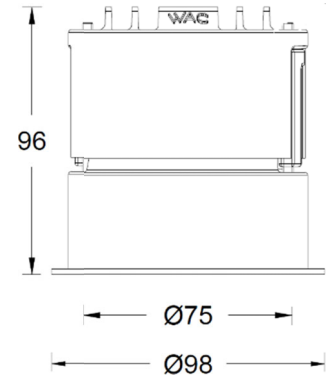
PROJECT:

TYPE:

## Product Image



## Line Drawing



## Product Description

The PLANA series lower light tube lamp has a delicate and simple appearance, using SUBROSA hidden light technology, with precise light distribution and ultimate anti glare effect. Mainly suitable for hotels and commercial public spaces.

## Product Features

- Body Material: Die-cast aluminum body
- Optical System: Lens+ SUBOROSA optical system
- Finish: Electrostatically powder coated White, Black
- Adjustable Angle: /
- Accessories: /
- Certification: CCC
- IP Rating: IP20
- Insulation Level: Class II
- Operating Temperature: -20°C~40°C

## Product Specifications

- Cut-out: Ø93mm
- Ceiling Thickness: 1mm~40mm
- Shielding Angle: 35°
- LED Type: COB
- Source Lm: 3000K: 1971lm/18W ; 1463lm/13W
- LED Lifetime: >50000h-L70 /B10-Ta25°C(LM-80/TM-21)
- CCT/CRI: 2700K/ 3000K/3500K/ 4000K/5000K, Ra90
- SDCM: 3 SDCM
- Input: 220V~240V AC / 50Hz
- Dimming: No dimming, 0-10V(compatibility testing must be conducted with the project site system in advance)
- Net Weight: 1.0Kg without packing

## Order Model

Model	Size	Trim	LED	Driver	CCT	Beam	Reflector	Finish
DLP Downlight P series	3 3"	3 Round Trim	LM13 COB 13W	E ON-OFF	27 2700K	1 15°	B Black S Specular	WT White
			LM18 COB 18W	D 0-10V Dimming	30 3000K	2 24°		
			LM18 COB 18W		35 3500K	3 36°		
					40 4000K	4 48°		
					50 5000K	5 58°		
			N NO DRIVER					

WAC Lighting  
www.waclighting.com (US)  
www.waclighting.com.cn (China)

Headquarters  
44 Harbor Park Drive • Port Washington, NY  
Phone (516) 515.5000 • Fax (516) 515.5050

WAC Lighting(Shanghai)  
14,Lane 299, Bi Sheng Road, Shanghai 201204,China  
Phone (86.21) 3393.3558 • Fax (86.21) 3362.1598

WAC Lighting reserves the right to periodically design and update products.2024-01-20

# FALCON SQUARE - MODEL: DLP33

## Recessed Ceiling Luminaires

# WAC

PROJECT:

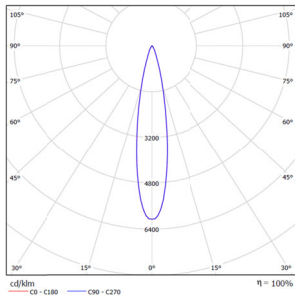
TYPE:

Example: DLP33-LM18E-302BWT

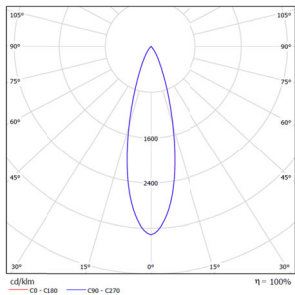
### Accessory

/

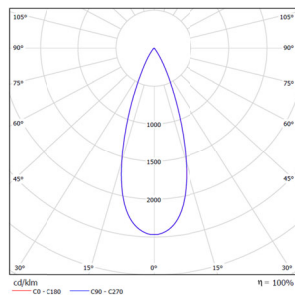
### LIGHT DISTRIBUTION@3000K LUMINAIRE DATA



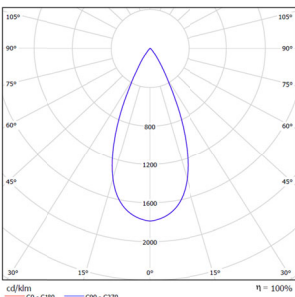
<b>MODEL:</b>	DLP33-LM13E-301SWT	DLP33-LM18E-301SWT
<b>BEAM ANGLE:</b>	18°	18°
<b>POWER:</b>	15W	21W
<b>LUMENS:</b>	844lm	1047lm
<b>CBCP:</b>	5213cd	6468cd
<b>EFFICACY:</b>	56lm/W	50lm/W



<b>MODEL:</b>	DLP33-LM13E-302SWT	DLP33-LM18E-302SWT
<b>BEAM ANGLE:</b>	28°	28°
<b>POWER:</b>	15W	21W
<b>LUMENS:</b>	881lm	1084lm
<b>CBCP:</b>	2860cd	3518cd
<b>EFFICACY:</b>	59lm/W	52lm/W



<b>MODEL:</b>	DLP33-LM13E-303SWT	DLP33-LM18E-303SWT
<b>BEAM ANGLE:</b>	38°	38°
<b>POWER:</b>	15W	21W
<b>LUMENS:</b>	1015lm	1241lm
<b>CBCP:</b>	2477cd	3028cd
<b>EFFICACY:</b>	68lm/W	59lm/W



<b>MODEL:</b>	DLP33-LM13E-304SWT	DLP33-LM18E-304SWT
<b>BEAM ANGLE:</b>	48°	48°
<b>POWER:</b>	15W	21W
<b>LUMENS:</b>	886lm	1096lm
<b>CBCP:</b>	1504cd	1861cd
<b>EFFICACY:</b>	59lm/W	52lm/W



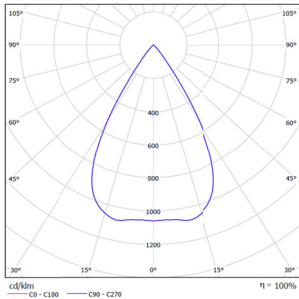
# FALCON SQUARE - MODEL: DLP33

Recessed Ceiling Luminaires

# WAC

PROJECT:

TYPE:



<b>MODEL:</b>	DLP33-LM13E-305SWT	DLP33-LM18E-305SWT
<b>BEAM ANGLE:</b>	58°	58°
<b>POWER:</b>	15W	21W
<b>LUMENS:</b>	943lm	1204lm
<b>CBCP:</b>	1111cd	1419cd
<b>EFFICACY:</b>	63lm/W	57lm/W

# FALCON SQUARE - MODEL: DLP43

Recessed Ceiling Luminaires



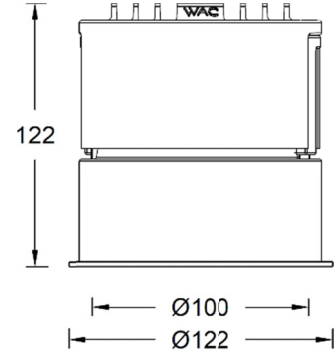
PROJECT:

TYPE:

Product Image



Line Drawing



## Product Description

The PLANA series lower light tube lamp has a delicate and simple appearance, using SUBROSA hidden light technology, with precise light distribution and ultimate anti glare effect. Mainly suitable for hotels and commercial public spaces.

## Product Features

- Body Material: Die-cast aluminum body
- Optical System: Lens+ SUBOROSA optical system
- Finish: Electrostatically powder coated White, Black
- Adjustable Angle: /
- Accessories: /
- Certification: CCC
- IP Rating: IP20
- Insulation Level: Class II
- Operating Temperature: -20°C~40°C

## Product Specifications

- Cut-out: Ø116mm
- Ceiling Thickness: 1mm~40mm
- Shielding Angle: 35°
- LED Type: COB
- Source Lm: 3000K: 2300lm/18W ; 3100lm/25W
- LED Lifetime: >50000h-L70 /B10-Ta25°C(LM-80/TM-21)
- CCT/CRI: 2700K/ 3000K/3500K/ 4000K/5000K, Ra90
- SDCM: 3 SDCM
- Input: 220V~240V AC / 50Hz
- Dimming: No dimming, 0-10V(compatibility testing must be conducted with the project site system in advance)
- Net Weight: 1.45Kg without packing

## Order Model

Model	Size	Trim	LED	Driver	CCT	Beam	Reflector	Finish
DLP Downlight P series	4 4"	3 Round Trim	LM18 COB 18W	E ON-OFF D 0-10V Dimming	27 2700K	2 20°	B Black S Specular	WT White
			LM25 COB 25W		30 3000K	3 30°		
					35 3500K	4 40°		
			LM25 COB 25W	N NO DRIVER	40 4000K	5 50°		
					50 5000K	6 60°		

WAC Lighting  
www.waclighting.com (US)  
www.waclighting.com.cn (China)

Headquarters  
44 Harbor Park Drive • Port Washington, NY  
Phone (516) 515.5000 • Fax (516) 515.5050

WAC Lighting(Shanghai)  
14,Lane 299, Bi Sheng Road, Shanghai 201204,China  
Phone (86.21) 3393.3558 • Fax (86.21) 3362.1598

# FALCON SQUARE - MODEL: DLP43

## Recessed Ceiling Luminaires

# WAC

PROJECT:

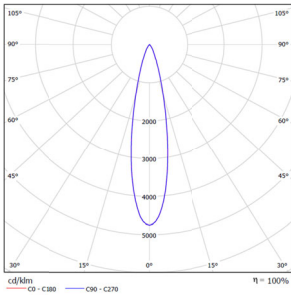
TYPE:

Example: DLP43-LM18E-302BWT

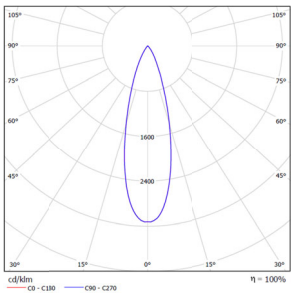
### Accessory

/

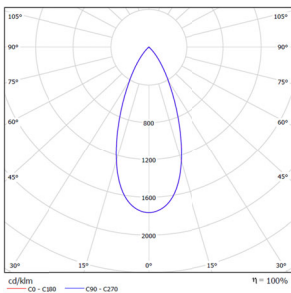
### LIGHT DISTRIBUTION@3000K LUMINAIRE DATA



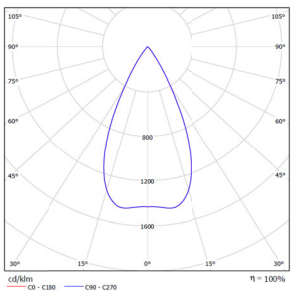
<b>MODEL:</b>	DLP43-LM18E-302SWT	DLP43-LM25E-302SWT
<b>BEAM ANGLE:</b>	20°	20°
<b>POWER:</b>	21W	29W
<b>LUMENS:</b>	1567lm	2106lm
<b>CBCP:</b>	7712cd	10366cd
<b>EFFICACY:</b>	75lm/W	73lm/W



<b>MODEL:</b>	DLP43-LM18E-303SWT	DLP33-LM18E-302SWT
<b>BEAM ANGLE:</b>	30°	30°
<b>POWER:</b>	21W	29W
<b>LUMENS:</b>	1446lm	1921lm
<b>CBCP:</b>	4708cd	6253cd
<b>EFFICACY:</b>	69lm/W	66lm/W



<b>MODEL:</b>	DLP43-LM18E-304SWT	DLP43-LM25E-304SWT
<b>BEAM ANGLE:</b>	40°	40°
<b>POWER:</b>	21W	29W
<b>LUMENS:</b>	1495lm	1981lm
<b>CBCP:</b>	2615cd	3464cd
<b>EFFICACY:</b>	71lm/W	68lm/W



<b>MODEL:</b>	DLP43-LM18E-305SWT	DLP43-LM25E-305SWT
<b>BEAM ANGLE:</b>	50°	50°
<b>POWER:</b>	21W	29W
<b>LUMENS:</b>	1784lm	2348lm
<b>CBCP:</b>	2721cd	3581cd
<b>EFFICACY:</b>	85lm/W	81lm/W

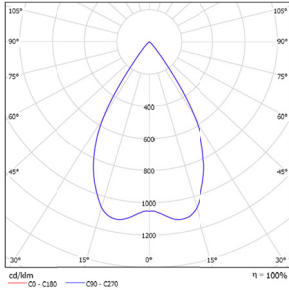
# FALCON SQUARE - MODEL: DLP43

Recessed Ceiling Luminaires

# WAC

PROJECT:

TYPE:



<b>MODEL:</b>	DLP43-LM18E-306SWT	DLP43-LM25E-306SWT
<b>BEAM ANGLE:</b>	60°	60°
<b>POWER:</b>	21W	29W
<b>LUMENS:</b>	1706lm	2274lm
<b>CBCP:</b>	1978cd	2637cd
<b>EFFICACY:</b>	81lm/W	78lm/W

# FALCON SQUARE - MODEL: DLP53

Recessed Ceiling Luminaires

# WAC

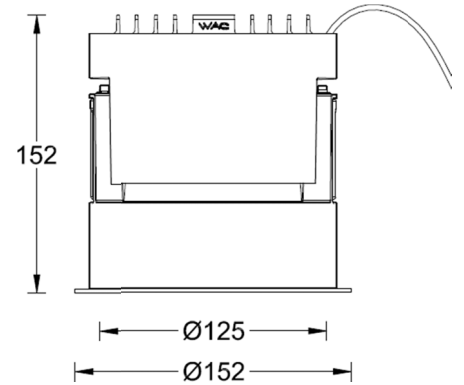
PROJECT:

TYPE:

**Product Image**



**Line Drawing**



## Product Description

The PLANA series lower light tube lamp has a delicate and simple appearance, using SUBROSA hidden light technology, with precise light distribution and ultimate anti glare effect. Mainly suitable for hotels and commercial public spaces.

## Product Features

- Body Material: Die-cast aluminum body
- Optical System: Lens+ SUBOROSA optical system
- Finish: Electrostatically powder coated White, Black
- Adjustable Angle: /
- Accessories: /
- Certification: CCC
- IP Rating: IP20
- Insulation Level: Class II
- Operating Temperature: -20°C~40°C

## Product Specifications

- Cut-out: Ø140mm
- Ceiling Thickness: 1mm~40mm
- Shielding Angle: 35°
- LED Type: COB
- Source Lm: 3000K: 2830lm/32W ; 4500lm/40W
- LED Lifetime: >50000h-L70 /B10-Ta25°C(LM-80/TM-21)
- CCT/CRI: 2700K/ 3000K/3500K/ 4000K/5000K, Ra90
- SDCM: 3 SDCM
- Input: 220V~240V AC / 50Hz
- Dimming: No dimming, 0-10V(compatibility testing must be conducted with the project site system in advance)
- Net Weight: 2.2Kg without packing

## Order Model

Model	Size	Trim	LED	Driver	CCT	Beam	Reflector	Finish
DLP Downlight P series	5 5"	3 Round Trim	LM32 COB 32W	E ON-OFF D 0-10V Dimming	27 2700K	1 15° 2 24° 3 36°	B Black S Specular	WT White
			LM40 COB 40W		30 3000K			
			LM40 COB 40W		35 3500K			
			N NO DRIVER	40 4000K 50 5000K				

WAC Lighting  
www.waclighting.com (US)  
www.waclighting.com.cn (China)

Headquarters  
44 Harbor Park Drive • Port Washington, NY  
Phone (516) 515.5000 • Fax (516) 515.5050

WAC Lighting(Shanghai)  
14,Lane 299, Bi Sheng Road, Shanghai 201204,China  
Phone (86.21) 3393.3558 • Fax (86.21) 3362.1598

WAC Lighting reserves the right to periodically design and update products.2024-01-20

# FALCON SQUARE - MODEL: DLP53

## Recessed Ceiling Luminaires

# WAC

PROJECT:

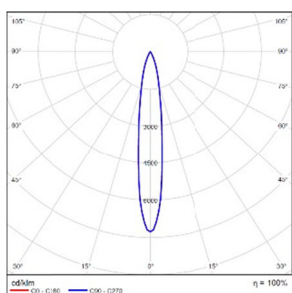
TYPE:

Example: DLP53-LM32E-302BWT

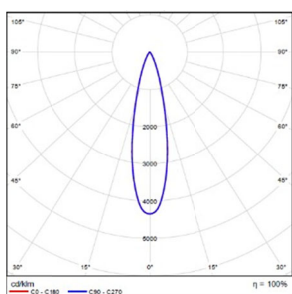
### Accessory

/

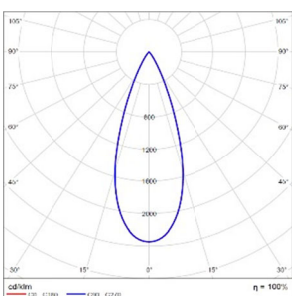
### LIGHT DISTRIBUTION@3000K LUMINAIRE DATA



<b>MODEL:</b>	DLP53-LM32E-301SWT	DLP53-LM40E-301SWT
<b>BEAM ANGLE:</b>	15°	15°
<b>POWER:</b>	35W	43W
<b>LUMENS:</b>	3017lm	3688lm
<b>CBCP:</b>	21993cd	26804cd
<b>EFFICACY:</b>	86lm/W	86lm/W



<b>MODEL:</b>	DLP53-LM32E-302SWT	DLP53-LM40E-302SWT
<b>BEAM ANGLE:</b>	24°	24°
<b>POWER:</b>	35W	43W
<b>LUMENS:</b>	2885lm	3526lm
<b>CBCP:</b>	12543cd	15330cd
<b>EFFICACY:</b>	82lm/W	82lm/W



<b>MODEL:</b>	DLP53-LM32E-303SWT	DLP53-LM40E-303SWT
<b>BEAM ANGLE:</b>	36°	36°
<b>POWER:</b>	35W	43W
<b>LUMENS:</b>	2950lm	3605lm
<b>CBCP:</b>	6924cd	8463cd
<b>EFFICACY:</b>	84lm/W	84lm/W