

## Product model:

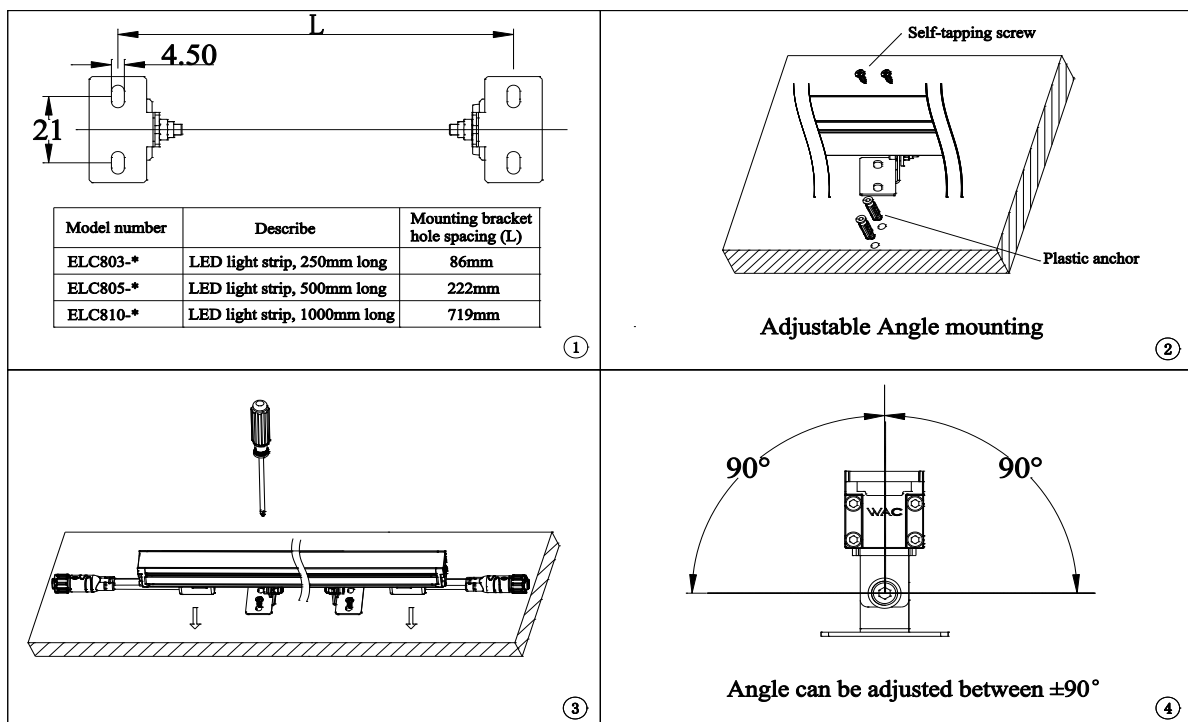
This installation instruction applies to LED outdoor striped lights: ELC803\*/ELC805\*/ELC810\* Series.

## Installation Precautions:

1. Please read through the Instructions before installation.
2. The product should be installed by a professional electrician.
3. Make sure the power supply is cut off before installation and maintenance, to avoid the risk of electric shock.
4. Before installing the light, ensure that the mounting surface is firm and reliable to prevent the light from falling.
5. Please keep this Instruction properly for future reference.
6. Make waterproof treatment at the wiring of the light.

## Installation method and procedure:

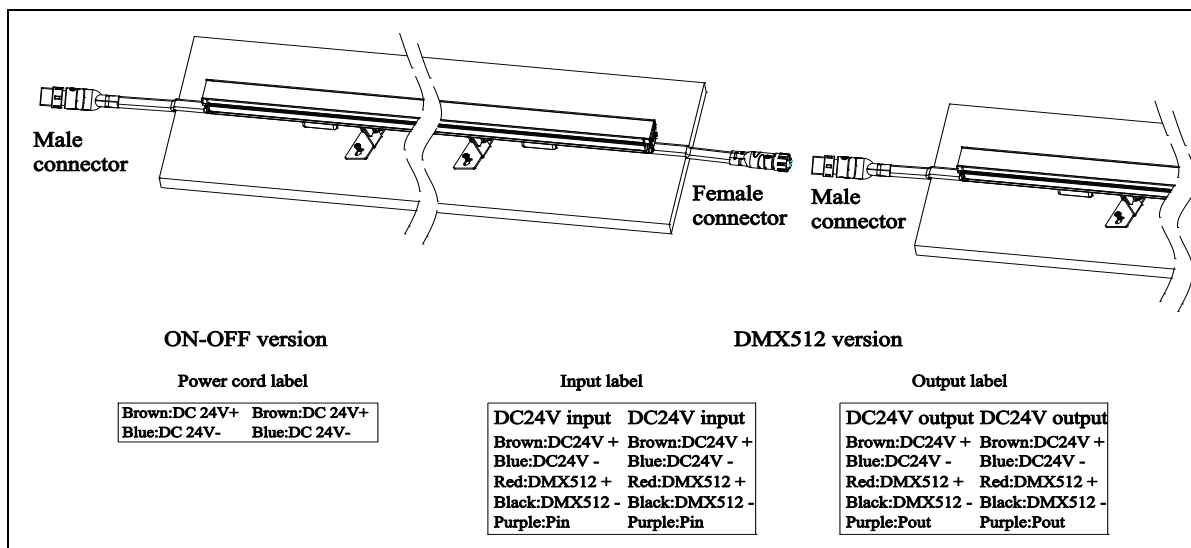
1. The light has two mounting brackets (ELC803 has only one mounting bracket), and the fixing hole distance of the bracket is referred to Figure 1 (the construction party provides self-tapping screws and plastic anchors).
2. Drill holes according to the position of the stainless steel bracket, install the plastic anchors and lock the mounting bracket with self-tapping screws, as shown in Figure 2 and 3.
3. Before installing adjacent light strips, connect cables, drill holes, install plastic anchors, and secure the lights. The power cable of the light has input and output directions. Connect cables according to the label on the cable. The adjustable Angle bracket can be adjusted about 90 degrees, as shown in Figure 4.



4. Light wiring: The light is equipped with male and female connector wire, please refer to the parameters on the wire label for wiring.

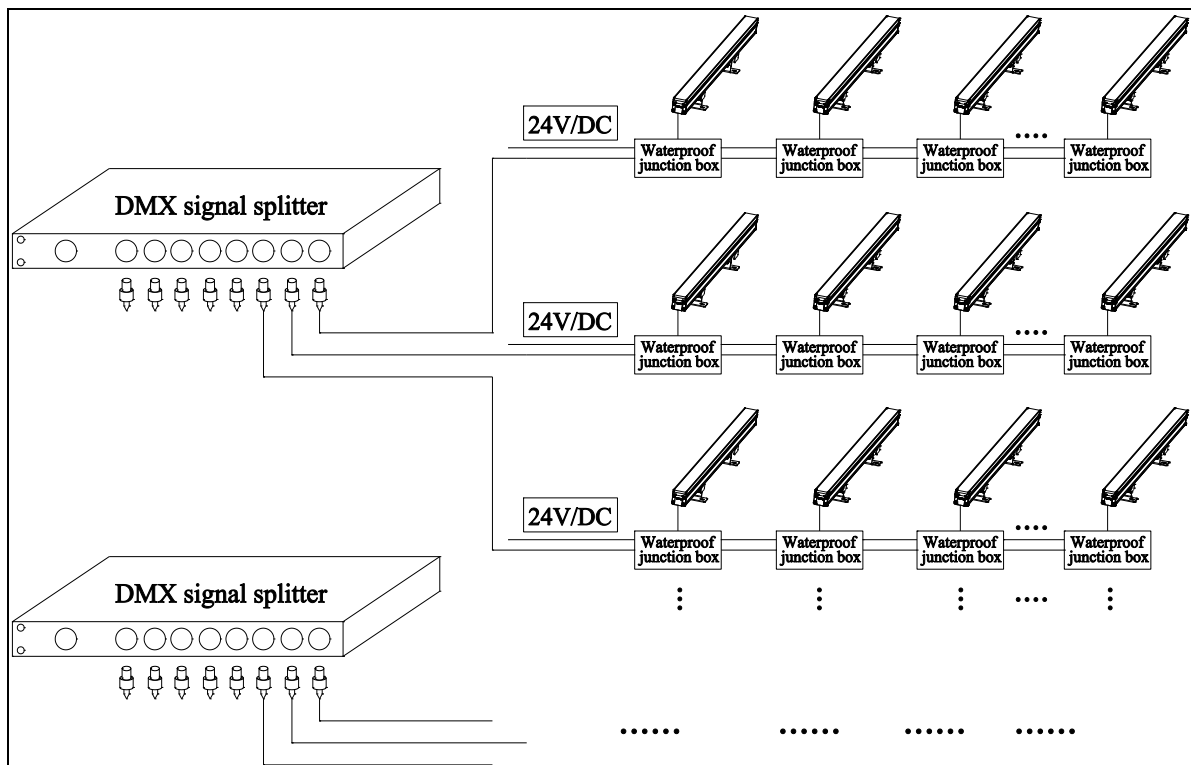
On-off version: There is a power line label on the male and female end connectors, brown for positive electrode, blue for negative electrode.

DMX512 dimming version: input label on the male end connector, output label on the female end connector.



\* Note: The power cable shall be connected with the waterproof connector cable provided by our company. It is recommended that a transformer power loop be equipped with lights no more than 15 meters, and the current shall not be greater than 9A. When the lights are connected, the male and female connectors need to be locked to ensure waterproof.

## 5. DMX512 dimming light wiring:



\* Note: IP65 and above grade waterproof junction box must be used to connect the wire, and the waterproof connector of the junction box must match the light lead. It is recommended that the total length of the light splice of each power loop should not exceed 15 meters.