

Universal light panel - MODEL: OGP20211

Panel Luminaires

WAC

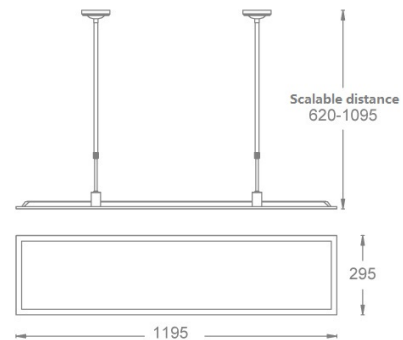
PROJECT:

TYPE:

Product Image



Line Drawing



Product Description

WAC universal lamp panel, using aluminum profile lamp body, has a simple and beautiful appearance, and has good heat dissipation performance. Using anti glare prism optics, no visible glare, UGR less than 19, with good anti glare performance and light uniformity. Using LED light source color consistency control, Ra90, no flicker, high light efficiency and energy saving. It has a comfortable lighting effect and is suitable for lighting applications in commercial, office, classroom, and other places.

Product Features

- Body Material: Aluminum alloy extruded lamp body
- Optical System: Lens + Prism plate
- Finish: Electrostatic powder coating
- Adjustable Angle: /
- Accessories: Suspension rod assembly
- Certification: CCC
- IP Rating: IP40
- Insulation Level: Class I
- Operating Temperature: -20°C~40°C

Product Specifications

- Shielding Angle: /
- LED Type: SMD LED
- Source Lm: 3000K:36W 4680lm;40W 5200lm
4000K:36W 4680lm;40W 5400lm
5000K:36W 4680lm;40W 5400lm
- LED Lifetime: >50000h-L70 /B10-Ta25°C(LM-80/TM-21)
- CCT/CRI: 3000K/ 4000K/ 5000K, Ra90
- SDCM: 5 SDCM
- Input: 220V-240V AC / 50Hz
- Dimming: On-OFF/ 0-10V Control/ Must conduct matching testing with the project site system in advance
- Net Weight: Approximately 3.0Kg without packing

Order Model

Example: OGP20211-36E-Y50WT

Model	SIZE (mm)	Power (W)	Driver	Beam Down	CCT	Finish
OGP2	0211 295*1195mm	36 36W 40 40W	E ON-OFF D 0-10V Dimming	Y (Prism plate)	30 3000K 40 4000K 50 5000K	WT White

Notes: 9 classroom lights in regular classrooms

Installation method: Hoisting

Accessories

WAC Lighting
www.waclighting.com (US)
www.waclighting.com.cn (China)

Headquarters
44 Harbor Park Drive • Port Washington, NY
Phone (516) 515.5000 • Fax (516) 515.5050

WAC Lighting(Shanghai)
14,Lane 299, Bi Sheng Road,Shanghai 201204
Phone (86.21) 3393.3558 • Fax (86.21) 3362.1598

Universal light panel - MODEL: OGP20211

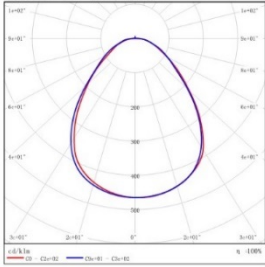
Panel Luminaires

WAC

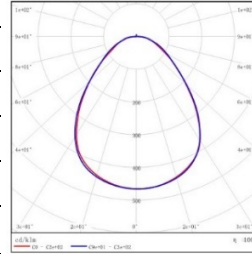
PROJECT:

TYPE:

Distribution curve flux: Date of 5000K



Model: OGP20211-36E-Y50WT
BEAM ANGLE: /
POWER: 38.03W
LUMENS: 4169.1lm
CBCP: /
EFFICACY: 109.62lm/W



Model: OGP20211-40E-Y50WT
BEAM ANGLE: /
POWER: 43.3W
LUMENS: 4591.6lm
CBCP: /
EFFICACY: 105.95lm/W