

Installation Precautions:

1. Read the instructions carefully before installation and operate according to the instructions;
2. Installed by qualified electricians;
3. In order to avoid the risk of electric shock, confirm that the power supply is turned off before installation and maintenance;
4. Suitable for indoor installation (not for humid environment);
5. The light source of this lamp is not replaceable, once it needs to be replaced (such as the end of the life of the light source), the entire lamp should be replaced;
6. Do not install the lamp on the unstable and unstable ceiling, so as to avoid the lamp falling;
7. Keep this manual properly for use when needed.

Installation procedure:

1. Loosen the three screws on the top plate, remove the mounting chassis, and pry open the half push hole on the chassis;
2. Drive a plastic gecko into the ceiling and fix the mounting chassis on the ceiling with screws (as shown in Figure 1);
3. Connect the power cable to the connector in the lamp. "L" is the live wire, "N" is the neutral wire, and "" is the ground wire (as shown in Figure 2). For the 0-10V dimming version, please connect the 0-10V signal cable according to the instructions on the electrical label (as shown in Figure 3);
4. Fasten the top plate on the mounting chassis, rotate it to the corresponding slot, and lock the loose screws.

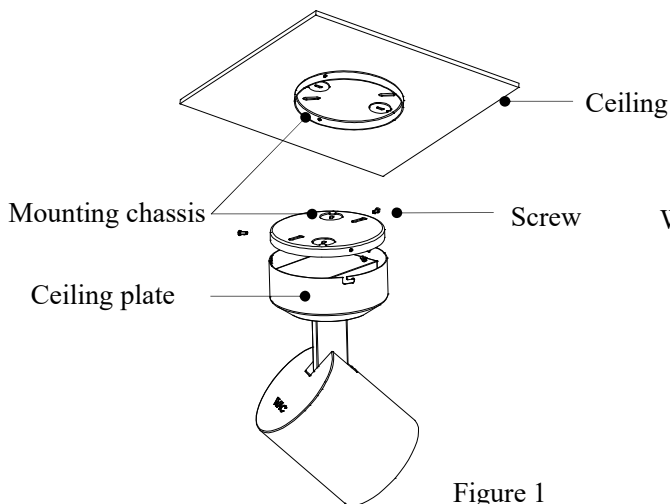


Figure 1

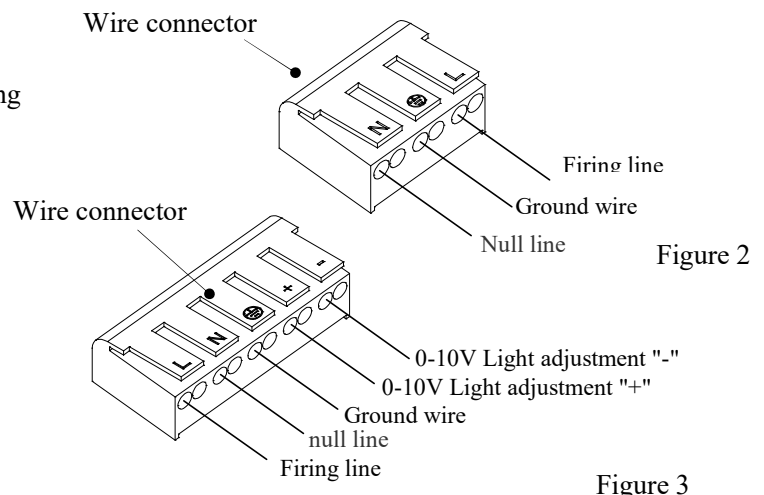


Figure 2

Figure 3

Luminaire regulation:

The luminaire can be rotated 355 degrees horizontally and 90 degrees vertically (as shown in Figure 4).

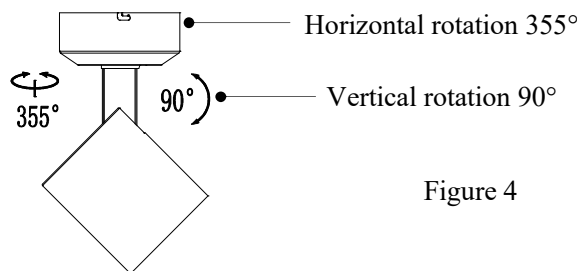


Figure 4

Installation of accessories (accessories purchased separately)

1. The lamp can be adapted to the company's various accessories, the specific accessory model please refer to the specification, only the condenser as an example, explain the installation method.
 - 1.1. Gently pull the front frame out of the luminaire (as shown in Figure 1.1);
 - 1.2. Load the condenser into the front frame (as shown in Figure 1.2);
 - 1.3. Reinstall the front frame with the condenser mounted into the luminaire (as shown in Figure 1.3);

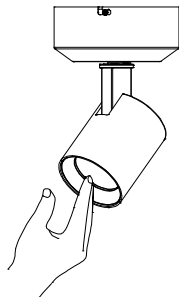


Figure 1.1

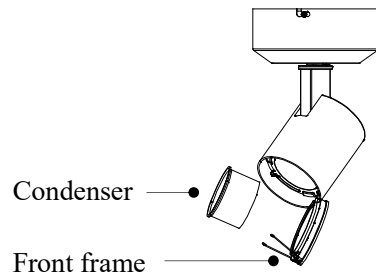


Figure 1.2

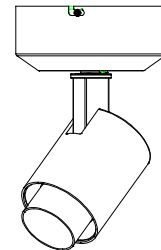


Figure 1.3

2. Replacement method of glass (lens)

- 2.1. Gently pull the front frame out of the lamp (as shown in Figure 2.1) :
- 2.2. Grab the ear on the glass platen and rotate the glass platen counterclockwise to remove the glass (as shown in Figure 2.2) :
- 2.3. Replace the new glass (lens) (as shown in Figure 2.3) :
- 2.4. Align the triangle marks on the glass platen and the reflector platen and turn clockwise to lock the glass platen (as shown in Figure 2.4) :
- 2.5. Reinstall the front frame into the luminaire (as shown in Figure 2.5) :

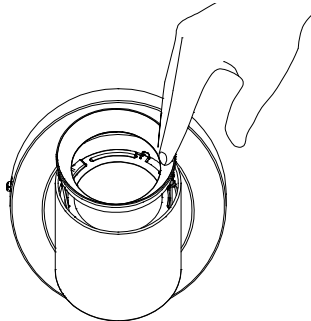


Figure 2.1

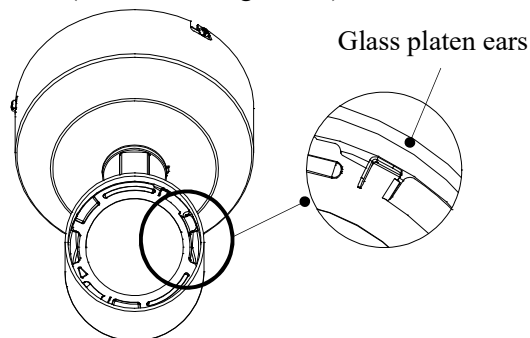


Figure 2.2

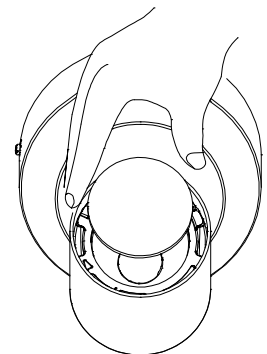


Figure 2.3

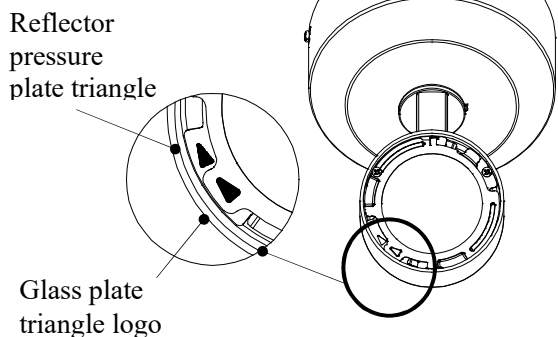


Figure 2.4

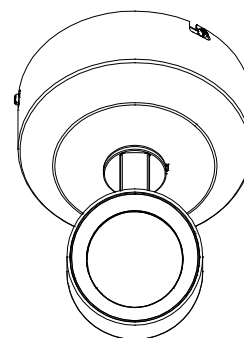


Figure 2.5