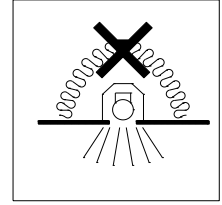


Installation Precautions:

1. Please read through the Instructions before installation.
2. The lighting fixtures have dimming and non dimming versions, please have a professional electrician install them.
3. Make sure the power supply is cut off before installation and maintenance,
4. to avoid the risk of electric shock. Luminaires can be embedded into the ceiling surface for installation, but do not cover insulation and combustibles above the lamps and bulbs to avoid causing fires.
5. If the glass cracks, please replace it immediately.
6. Do not install the lighting fixtures on unstable and unstable skylights to prevent them from falling.
7. Please keep this Instruction properly for future reference.
8. The dimming version has 0-10V/DMX512 dimming, please pay attention to the wiring markings when wiring.

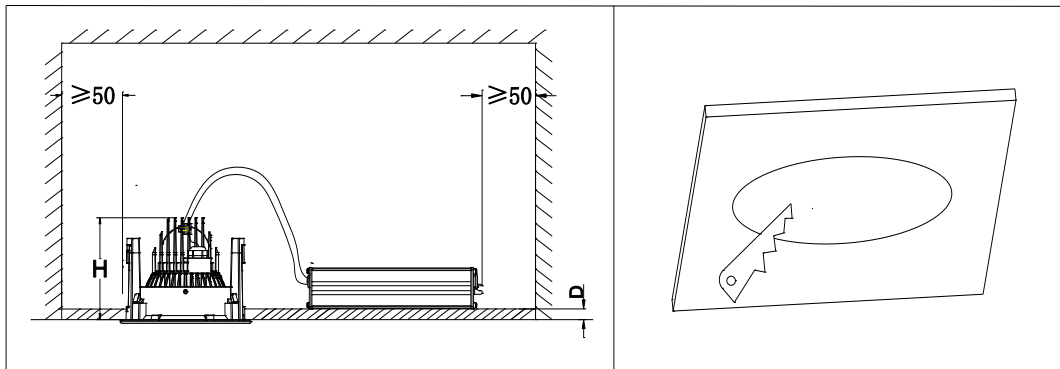


Warning: See signs. Under no circumstances should lighting fixtures be covered with insulation pads or similar material

Light Installation and Wiring:

1. Select the corresponding ceiling opening size according to the specifications and models of the lighting fixtures, install the minimum space, and install the ceiling thickness (as shown in the table below).

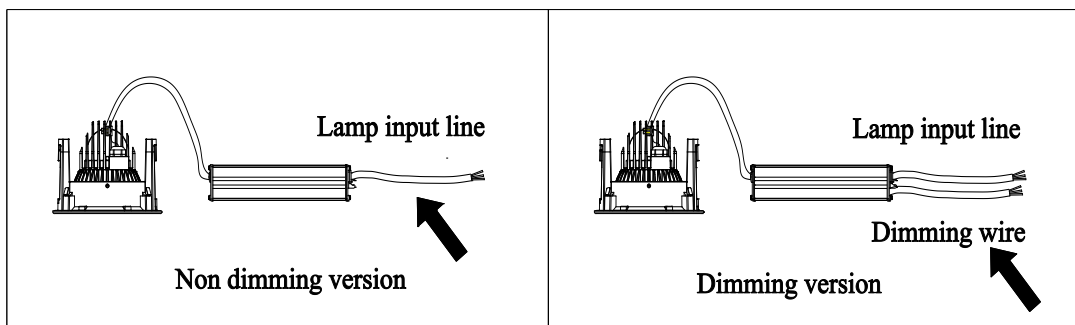
Lamp Model	Cut Out(Φ)	Lamp Height(H)	Range of installable ceiling thickness (D)
ER44A*	Φ 116mm	94mm	1~50mm
ER45A*	Φ 145mm	122mm	1~50mm
ER46A*	Φ 175mm	147mm	1~50mm



(Figure 1)

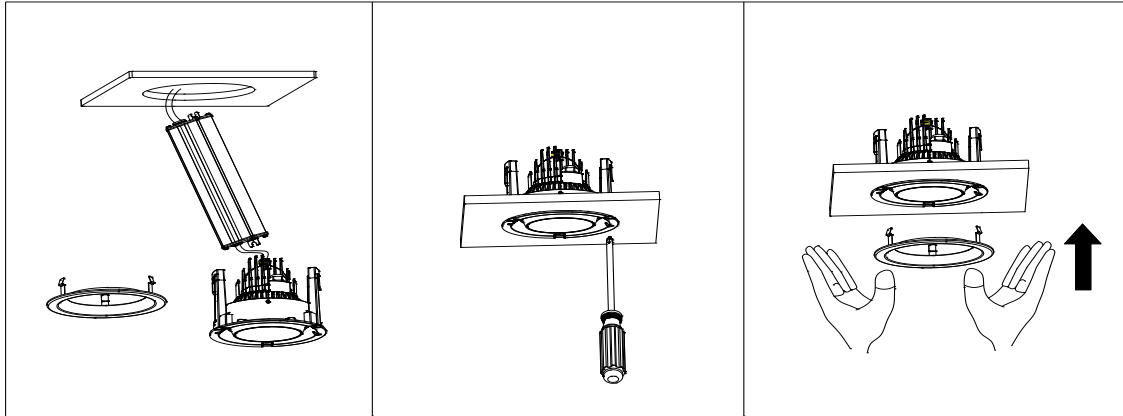
2. Lamp wiring: The wiring of the lighting fixtures should be connected according to the voltage requirements labeled on the **power line input label**. If there is a dimming version, please pay attention to dimming the +/- poles and do not connect them incorrectly.

Pay attention to waterproofing treatment at wire connections (See Figure 2)



(Figure 2)

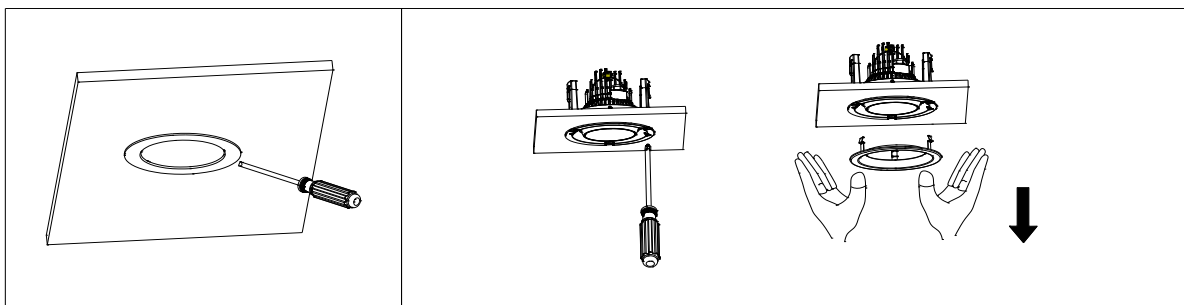
3. Lamp installation: Pull out the stainless steel cover, insert the wires and drive box into the excavation hole in the ceiling (see Figure 3), attach the lamp to the ceiling, hold the lamp edge with one hand, and use upward force with the other hand to rotate the installation screw clockwise until the installation bracket clamps onto the ceiling (see Figure 4), then install the cover into the lamp frame (see Figure 5).



(Figure 3-5)

Lamp dismantling and maintenance:

1. Lamp removal: Use your hand or a flat screwdriver to pry up the edge of the small opening of the cover and remove it (Figure 6); Rotate the installation screw counterclockwise until the bracket is screwed into the radiator to remove the lamp (Figure 7); **Note: If using electric tools, the torque should not be too high.**



(Figure 6-7)