

LANNE PRO ADJ - MODEL: ER44

Recessed Ceiling Luminaires

WAC LIGHTING

Responsible Lighting®

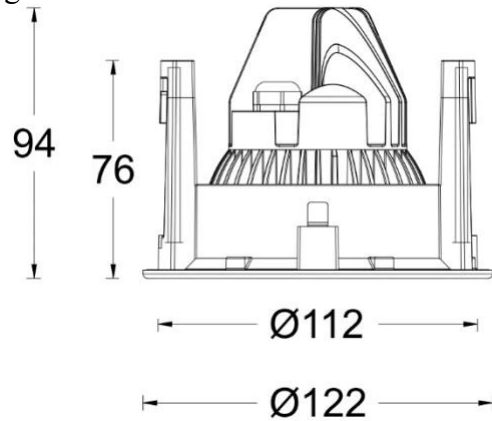
PROJECT:

TYPE:

Product Image



Line Drawing



Product Description

Lanne Pro ADJ embedded tube lamp, with exquisite and concise overall design, exquisite and detailed appearance and structure, installed with screws and sliders. It can adapt to ceilings of different thicknesses and is easy to adjust. Excellent optical performance, with angle adjustment function, the lamp is mainly suitable for functional lighting in public high-altitude areas.

Product Features

- Body Material: Aluminum alloy die-casting lamp body+stainless steel frame
- Optical System: Lens
- Finish: Static electricity powder coating
- Adjustable Angle: Horizontal 355°, vertical ± 25°
- Accessories: /
- Certification: CCC
- IP Rating: IP65
- Insulation Level: Class I
- Operating Temperature: -20°C~50°C

Product Specifications

- Opening Size: Ø116mm
- Ceiling Thickness: 1mm~50mm
- LED Type: COB
- LED Power: 13W (Max)
- Source Lm: 3000K 1560lm; 4000K 1690lm
- LED Lifetime: >50000h-L70 /B10-Ta25°C(LM-80/TM-21)
- CCT/CRI: 3000K/ 4000K , Ra90
- SDCM: 3 SDCM
- Input: 220V/AC, 50/60Hz
- Dimming: ON-OFF / 0-10V Dimming
- Net Weight: 1.0Kg without packing

Ordering model

Model	Size	Comment	LED Power	Driver	Beam	CCT	Reflector	Finish
ER4	4 4"	A Adjustable	13 13W	EL ON-OFF	1 13°	30 3000K 40 4000K	B Black S Specular	WT White BN Brushed Nickel
				220V AC Power Supply	2 20°			
				DL 0-10V Dimming	3 30°			
				220V AC Power Supply	4 40°			

Example: ER44A-13EL-130BWT

WAC Lighting
www.waclighting.com (US)
www.waclighting.com.cn (China)

Headquarters
44 Harbor Park Drive • Port Washington, NY
Phone (516) 515.5000 • Fax (516) 515.5050

WAC Lighting Technology (Shanghai) Co., Ltd
14, Lane 299, Bi Sheng Road, Shanghai 201204
Phone (86.21) 3393.3558 • Fax (86.21) 3362.1598

WAC Lighting reserves the right to periodically design and update products.2024-03-08

LANNE PRO ADJ - MODEL: ER44

Recessed Ceiling Luminaires

WAC LIGHTING

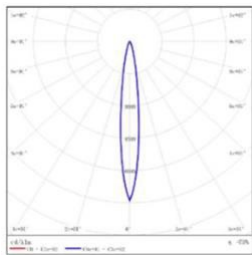
Responsible Lighting®

PROJECT:

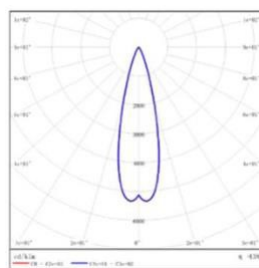
TYPE:

Accessories

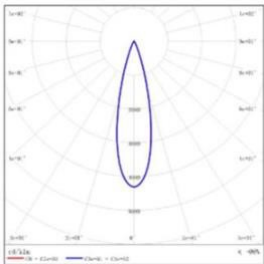
LIGHT DISTRIBUTION@3000K LUMINAIRE DATA



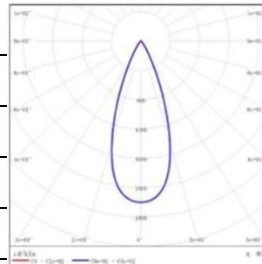
MODEL:	ER44A-13DL-130SWT
BEAM ANGLE:	13°
POWER:	15.2W
LUMENS:	810.3 lm
CBCP:	6416 cd
EFFICACY:	53.2 lm /W



MODEL:	ER44A-13DL-230SWT
BEAM ANGLE:	20°
POWER:	15.2W
LUMENS:	913.2 lm
CBCP:	5843 cd
EFFICACY:	60 lm /W



MODEL:	ER44A-13DL-330SWT
BEAM ANGLE:	30°
POWER:	15.2W
LUMENS:	910.2 lm
CBCP:	2657 cd
EFFICACY:	59.2 lm /W



MODEL:	ER44A-13DL-430SWT
BEAM ANGLE:	40°
POWER:	15.3W
LUMENS:	874.9 lm
CBCP:	1574 cd
EFFICACY:	57.3 lm /W

LANNE PRO ADJ - MODEL: ER45

Recessed Ceiling Luminaires

WAC LIGHTING

Responsible Lighting®

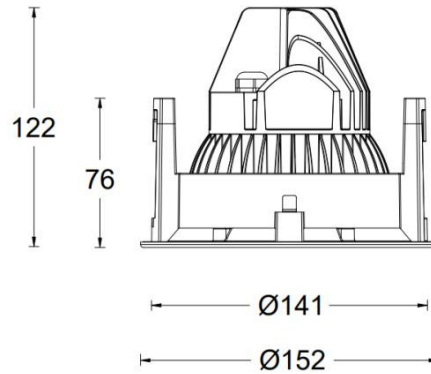
PROJECT:

TYPE:

Product Image



Line Drawing



Product Description

Lanne Pro ADJ embedded tube lamp, with exquisite and concise overall design, exquisite and detailed appearance and structure, installed with screws and sliders. It can adapt to ceilings of different thicknesses and is easy to adjust. Excellent optical performance, with angle adjustment function, the lamp is mainly suitable for functional lighting in public high-altitude areas.

Product Features

- Body Material: Aluminum alloy die-casting lamp body+stainless steel frame
- Optical System: Lens
- Finish: Static electricity powder coating
- Adjustable Angle: Horizontal 355 °, vertical ± 25 °
- Accessories: /
- Certification: CCC
- IP Rating: IP65
- Insulation Level: Class I
- Operating Temperature: -20°C~50°C

Product Specifications

- Opening Size: Ø145mm
- Ceiling Thickness: 1mm~50mm
- LED Type: COB
- LED Power: 18W (Max)
- Source Lm: 3000K 2160lm; 4000K 2340lm
- LED Lifetime: >50000h-L70 /B10-Ta25°C(LM-80/TM-21)
- CCT/CRI: 3000K/ 4000K , Ra90
- SDCM: 3 SDCM
- Input: 220V/AC, 50/60Hz

Ordering model

Model	Size	Comment	LED Power	Driver	Beam	CCT	Reflector	Finish
ER4	5 5"	A Adjustable	18 18W	EL ON-OFF	1 19°	30 3000K 40 4000K	B Black S Specular	WT White BN Brushed Nickel
				220V AC Power Supply	2 26°			
				DL 0-10V Dimming	3 38°			
				220V AC Power Supply	5 52°			

Example: ER45A-18EL-130BWT

LANNE PRO ADJ - MODEL: ER45

Recessed Ceiling Luminaires

WAC LIGHTING

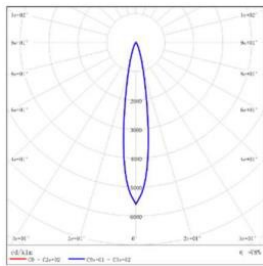
Responsible Lighting®

PROJECT:

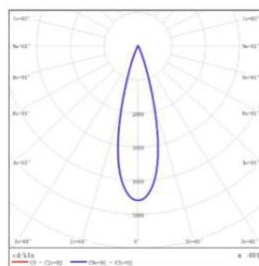
TYPE:

Accessories

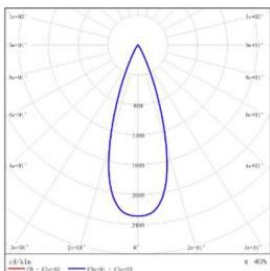
LIGHT DISTRIBUTION@3000K LUMINAIRE DATA



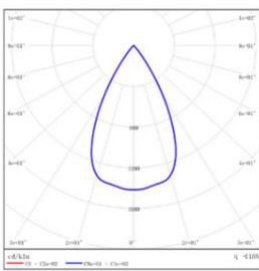
MODEL:	ER45A-18DL-130SWT
BEAM ANGLE:	19°
POWER:	20.1W
LUMENS:	1642.3 lm
CBCP:	11484 cd
EFFICACY:	81.5 lm /W



MODEL:	ER45A-18DL-230SWT
BEAM ANGLE:	26°
POWER:	20W
LUMENS:	1776.5 lm
CBCP:	8357 cd
EFFICACY:	88.8 lm /W



MODEL:	ER45A-18DL-330SWT
BEAM ANGLE:	38°
POWER:	20.2W
LUMENS:	1809.6 lm
CBCP:	4270 cd
EFFICACY:	89.7 lm /W



MODEL:	ER45A-18DL-530SWT
BEAM ANGLE:	52°
POWER:	20.1W
LUMENS:	1665.1 lm
CBCP:	2442 cd
EFFICACY:	83.1 lm /W

LANNE PRO ADJ - MODEL: ER46

Recessed Ceiling Luminaires

WAC LIGHTING

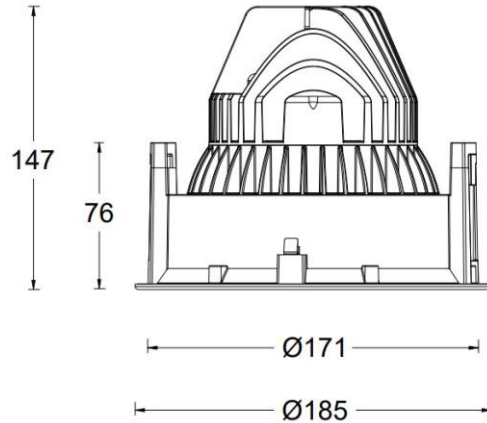
Responsible Lighting®

PROJECT:

TYPE:

Product Image

Line Drawing



Product Description

Lanne Pro ADJ embedded tube lamp, with exquisite and concise overall design, exquisite and detailed appearance and structure, installed with screws and sliders. It can adapt to ceilings of different thicknesses and is easy to adjust. Excellent optical performance, with angle adjustment function, the lamp is mainly suitable for functional lighting in public high-altitude areas..

Product Features

- Body Material: Aluminum alloy die-casting lamp body+stainless steel frame
- Optical System: Lens
- Finish: Static electricity powder coating
- Adjustable Angle: Horizontal 355°, vertical ± 25°
- Accessories: /
- Certification: CCC
- IP Rating: IP65
- Insulation Level: Class I
- Operating Temperature: -20°C~50°C

Product Specifications

- Opening Size: Ø175mm
- Ceiling Thickness: 1mm~50mm
- LED Type: COB
- LED Power: 33W (Max)
- Source Lm: 3000K 4180lm; 4000K 4318lm
- LED Lifetime: >50000h-L70 /B10-Ta25°C(LM-80/TM-21)
- CCT/CRI: 3000K/ 4000K , Ra90
- SDCM: 3 SDCM
- Input: 220V/AC, 50/60Hz

Ordering model

Model	Size	Comment	LED Power	Driver	Beam	CCT	Reflector	Finish
ER4	6 6"	A Adjustable	33 33W	EL ON-OFF	1 19°	30 3000K 40 4000K	B Black S Specular	WT White BN Brushed Nickel
				220V AC Power Supply	2 26°			
				DL 0-10V Dimming	3 38°			
				220V AC Power Supply	5 52°			

Example: ER46A-33EL-130BWT

LANNE PRO ADJ - MODEL: ER46

Recessed Ceiling Luminaires

WAC LIGHTING

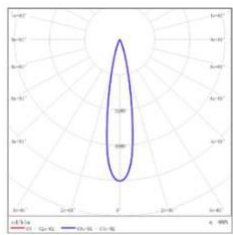
Responsible Lighting®

PROJECT:

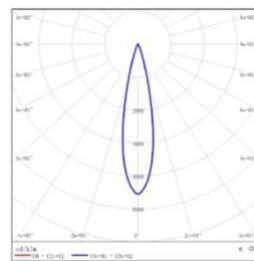
TYPE:

Accessories

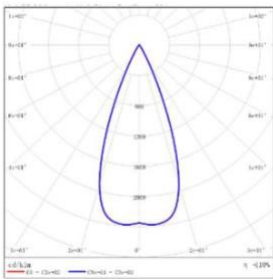
LIGHT DISTRIBUTION@3000K LUMINAIRE DATA



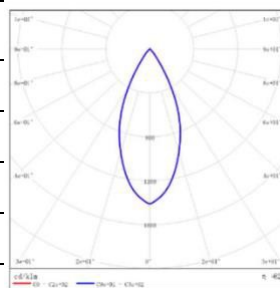
MODEL:	ER46A-33DL-130SWT
BEAM ANGLE:	19°
POWER:	37.3W
LUMENS:	3548.1 lm
CBCP:	23084 cd
EFFICACY:	95.2lm /W



型号:	ER46A-33DL-230SWT
光束角:	26°
系统功率:	37.2W
系统光通量:	3470.9 lm
中心光强:	13515 cd
系统光效:	93.3 lm /W



MODEL:	ER46A-33DL-330SWT
BEAM ANGLE:	38°
POWER:	37.5W
LUMENS:	3686.2 lm
CBCP:	8818 cd
EFFICACY:	98.4 lm /W



MODEL:	ER46A-33DL-530SWT
BEAM ANGLE:	52°
POWER:	37.4W
LUMENS:	3525 lm
CBCP:	5185 cd
EFFICACY:	94.2 lm /W