

Installation instruction

Installation Precautions:

1. Before installation, please read all instructions and carefully read the installation precautions;
2. Suitable for indoor dry places and cannot be installed in environments with water;
3. Before installation, please be sure to turn off the power to prevent electric shock;
4. PC cover, PC embossed cover, and remove the surface protective film before installation.

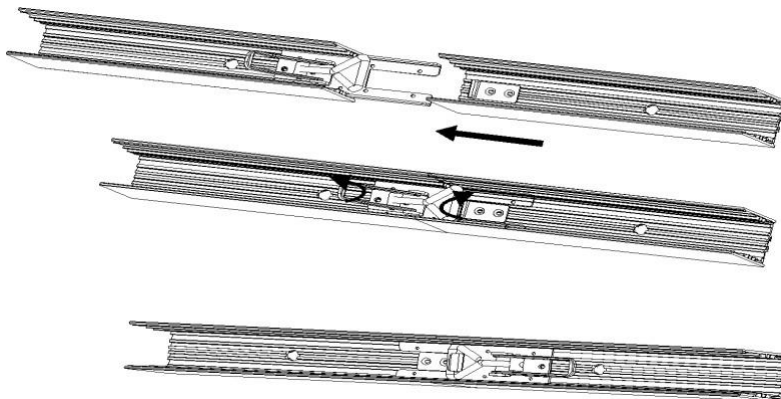
Lamp Description:

This lighting fixture has different lengths and three power supply methods, AC220V, DC24V, and constant current, depending on the model. Please choose the slot size and matching power supply according to the specific model and installation method.

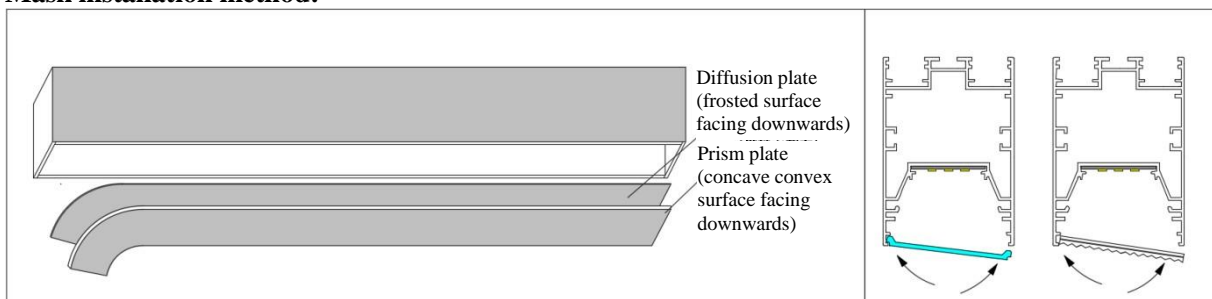
Main materials and usage of lamps: profiles, light source boards, PC covers, PC embossed covers+diffusion plates (first install the diffusion plate, with the frosted surface facing outward; the concave and convex surfaces of the crystal plate facing outward, and the smooth surface facing inward), end caps, exposed splicing accessories, lifting splicing accessories, tin foil and leak proof curing adhesive (used for splicing lamps).

Installation instructions:

Splicing method:

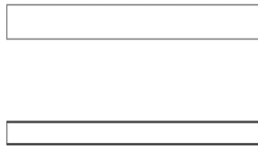


Mask installation method:



Lamp type:

1. Ceiling mounted



2. Suspending



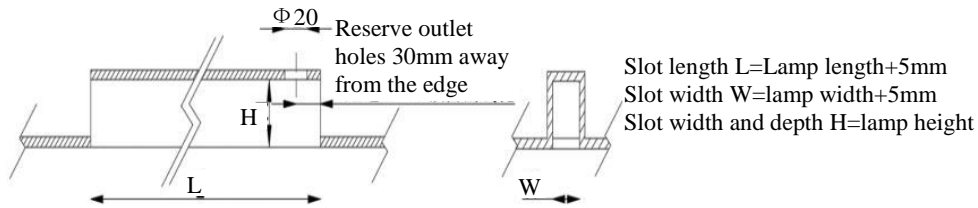
3. Embedded



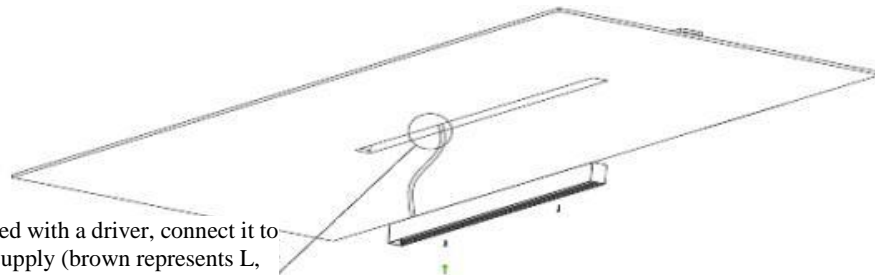
Just fix it, do not lock it completely!

Installation method:

1. Ceiling mounted



Not spliced

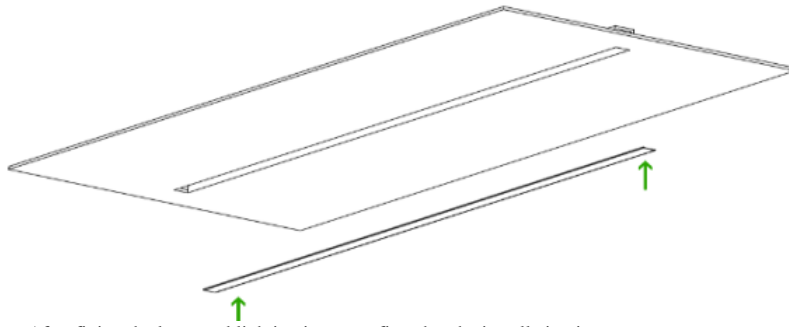


- a. When the lamp is equipped with a driver, connect it to an AC220-240V power supply (brown represents L, blue represents N).
When the lamp is not equipped with a driver, connect it to a DC 24V power supply (brown represents the positive pole, blue represents the negative pole).
- b. Align the installation holes with a screwdriver or electric tool, tighten the screws to secure the light fixture into the lamp slot.

Spliced

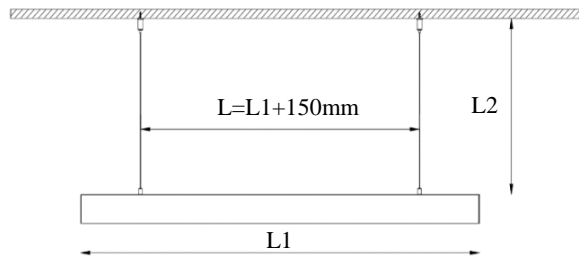


- a. When the lamp is equipped with a driver, connect it to an AC 220-240V power supply (brown represents L, blue represents N).
When the lamp is not equipped with a driver, connect it to a DC 24V power supply (brown represents the positive pole, blue represents the negative pole).
- b. Splitting the lighting fixtures in the order indicated on the label, the splicing sequence should be connected in sequence, and the lighting fixtures should be tightly spliced.
- c. Align the installation hole with a screwdriver or electric tool, and lock the screw to fix the lamp into the lamp slot.
- d. Splitting the lighting fixtures with male and female connectors for docking.

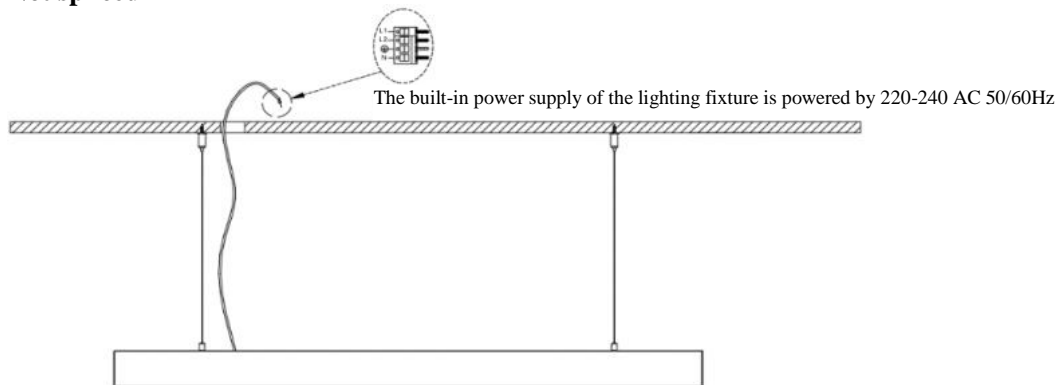


After fixing the lamp and lighting it up, confirm that the installation is correct
Smooth buckle into the PC lampshade (To avoid splicing errors that may cause gaps in the lampshade after splicing, the equipped lampshade will be 1-2cm longer than the rated length. When splicing, cut off the longer section to achieve a no light leakage effect!)

2. Suspending



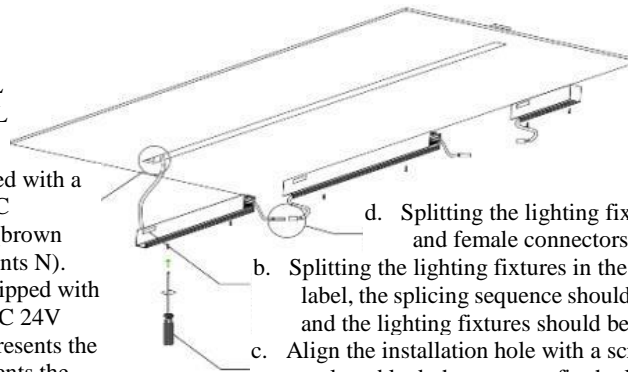
Not spliced



Spliced

Green	ground wire
Blue	N
White	below irradiation L
Transparent	upper irradiation L

- b. When the lamp is equipped with a driver, connect it to an AC 220-240V power supply (brown represents L, blue represents N). When the lamp is not equipped with a driver, connect it to a DC 24V power supply (brown represents the positive pole, blue represents the negative pole).



- d. Splitting the lighting fixtures with male and female connectors for docking.
- b. Splitting the lighting fixtures in the order indicated on the label, the splicing sequence should be connected in sequence, and the lighting fixtures should be tightly spliced.
- c. Align the installation hole with a screwdriver or electric tool, and lock the screw to fix the lamp into the lamp slot.

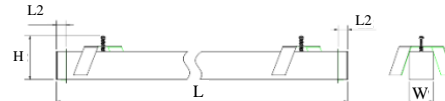
3. Embedded

Instructions for using installation accessories:

a. Clamp the installation aids onto the profile

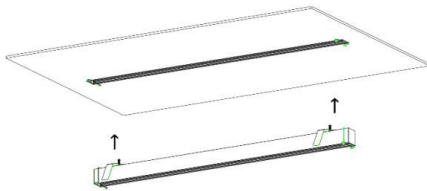


b. When installing into the ceiling, first install one end of the lamp body into the ceiling, and then install the other end, paying attention to the size of the ceiling opening.



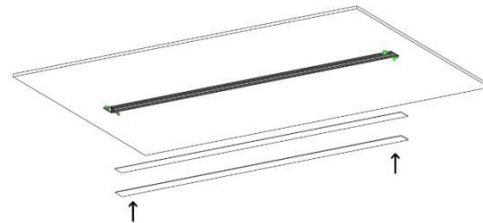
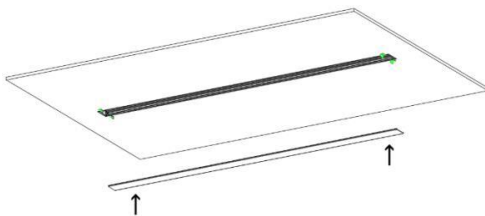
Opening size: length (L+5mm) * width (W+5mm) * height (H+50mm)
L2 < 20mm

c. Install the lighting fixtures into the ceiling.



Just fix it, do not lock it completely!

d. Install the PC cover or crystal board (refer to the mask installation method for specific operations).



e. Remove the installation aids.

