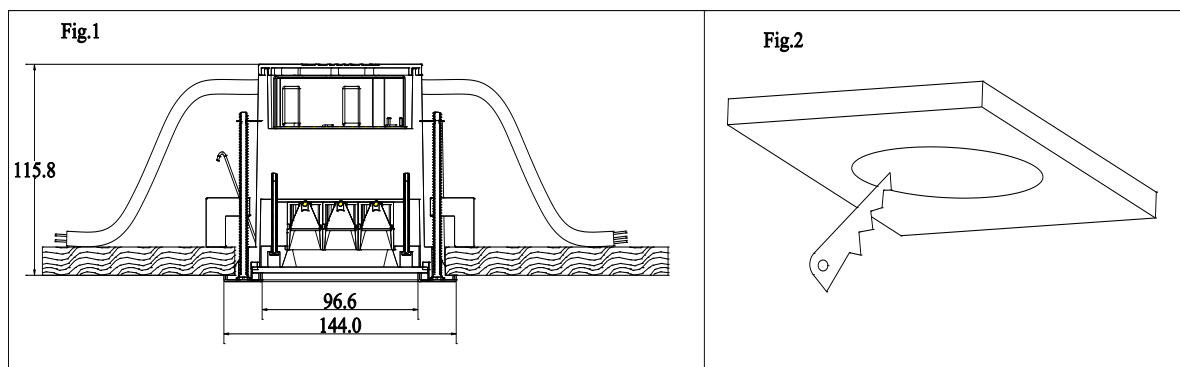


## Installation Precautions:

1. Please read through the Instructions before installation.
2. The product should be installed by a professional electrician.
3. Make sure the power supply is cut off before installation and maintenance, to avoid the risk of electric shock.
4. The light can be recessed on the ceiling, where sufficient space must be reserved for installation. Do not cover the light with any thermal insulation or consumable articles to avoid fire hazards.
5. In case of cracking of glass, please replace it immediately.
6. Do not install the light on an unstable or unsolid skylight, to avoid falling off.
7. Please keep this Instruction properly for future reference.
8. The LED source in the light should be replaced by the manufacturer or its service agent or similarly qualified personnel.

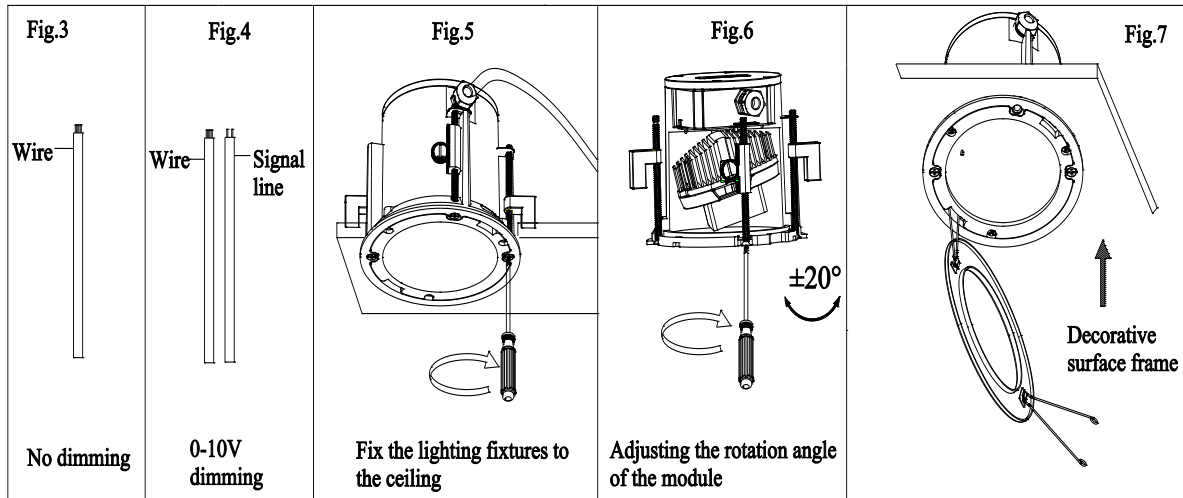
## Size requirements:

1. Confirm that the ceiling thickness meets the requirements (1-50mm) and there is sufficient space on the ceiling to install lighting fixtures (in millimeters) (Fig.1).
2. Digging diameter on the ceiling  $\phi 134\text{mm}$  circular hole, the power cord is led out from inside the circular hole (Fig.2).



## Light Installation and Wiring:

1. Power cord wiring method: Please choose a suitable wiring terminal to connect the power cord properly (the wiring terminal shown in the diagram is not attached) (Fig.3).  
Attention: The yellow green wire is the ground wire, the brown wire is the live wire (L), and the blue wire is the zero wire (N). Input: 220-240V~50/60Hz. If it is a 0-10V dimming lamp, the brown line in the signal line should be connected to the positive pole and the blue line to the negative pole (Fig.4).
2. Install wires and lighting fixtures into the holes already dug in the ceiling.
3. Remove the decorative frame, which will hang on the lamp and not fall off.
4. Rotate the large head cross screw with a screwdriver to lock the lamp with the ceiling (Fig.5).
5. If the product is a lamp with adjustable projection angle (product model ER1SA - \*), use a Phillips screwdriver to adjust and rotate the screw at the position shown in Fig. 6 to adjust the projection angle of the internal light source module of the lamp to the appropriate position (the projection angle is controlled within the vertical position range of plus or minus 20 degrees), and install the front cover (Fig.6).
6. Align the V-shaped spring with the hole position and install the decorative frame back, so that the bottom edge is flush with the ceiling surface (Fig.7).



**Notes:**

1. If damage is found to the glass protective cover during installation, it must be replaced, and the lamp can only be used with a complete protective cover.
2. When the glass protective cover is damaged and replaced, customers can only use the glass protective cover provided by our company.