

Product model:

This installation instruction is applicable to LED buried lights EIR2NF-02ET, EIS2NF-02ET, EIR2SF-04ET, EIS2SF-04ET, EIR4NF-02ET, EIS4NF-02ET, EIS4NF-04NF-02ET, EIR4SF-04ET, EIS4SF-04ET.

Installation Statement:

1. Read all instructions before installing.
2. A qualified electrician must install fixture only.
3. Turn off power at main switch before installing or modifying the system.
4. Retain instruction for future maintenance reference.

Mounting:

1. Firstly, at the location where the lighting fixtures are to be installed, holes should be made according to the corresponding model of the lighting fixture as shown in Figure 1-1, with a depth of $\geq 120\text{mm}$ and a diameter size as shown in Table 1;

Note:

- To ensure stable and reliable installation of lamps, the openings of lamps must be on hard materials;
 - The lamp has waterproof function, but considering that water accumulation may affect the stability of the wire and wiring, it is recommended to add drainage holes to the installation holes.
2. As shown in Figure 1-2, connect the lamp lead to the 12VDC power line, and pay attention to the waterproof treatment of the wire connection;
 3. Push the lamp into the hole as shown in Figure 1-3, so that the flange of the lamp is flush with the installation surface;
 4. Clean the surface of the light outlet of the lamp according to Figure 1-4.

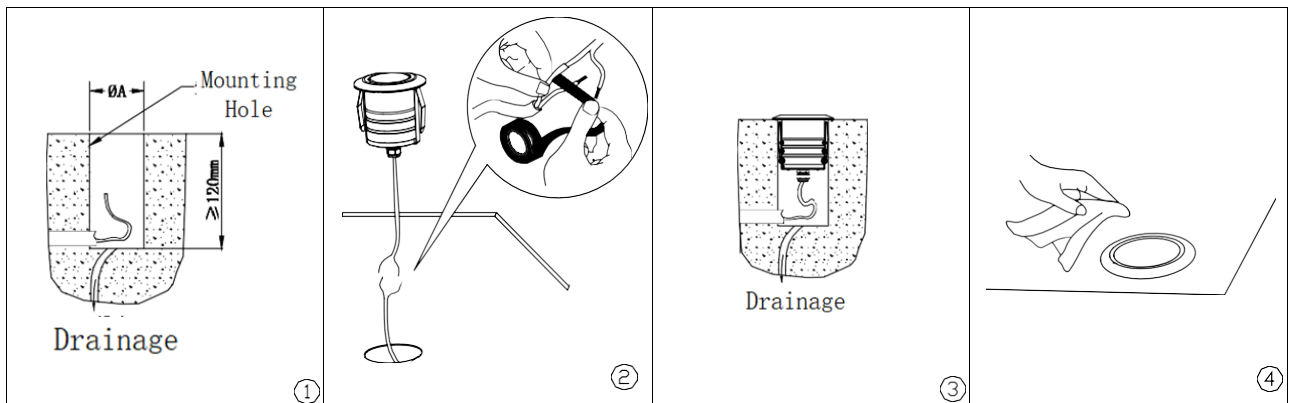


Figure 1

Embedded installation:

1. Firstly, drill holes according to the corresponding model of the lamp as shown in Figure 2-1 at the location where the lamp is to be installed. The diameter size of the holes is shown in Table 1; Note: To ensure stable and reliable installation of lamps, the openings of lamps must be on hard materials;
2. As shown in Figure 2-2, connect the lamp lead to the 12VDC power supply line;
3. Push the lamp into the hole as shown in Figure 2-3, so that the flipped edge of the lamp is flush with the installation

Licensed by "WAC" trademark holder - WAC LIGHTING, USA

Chinese Marketing : WAC Lighting (Shanghai) Co, Ltd.

Headquarters

Address : 14,Lane 299, Bi Sheng Road, Shanghai 201204,China

China factory : Manufactured WAC Lighting (Dongguan) Co, Ltd.

Address : 390, Qingfeng Road, Qingxi Town, Dngguan, Guangdong. Postal code: 523653

surface;

- Clean the surface of the light outlet of the lamp according to Figure 2-4.

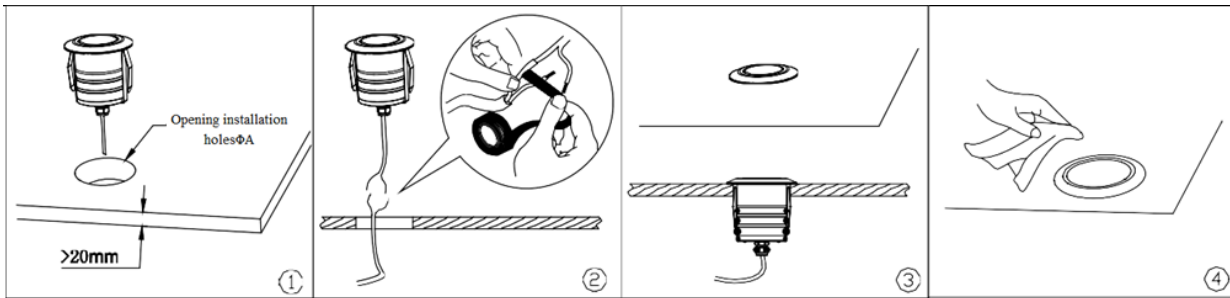


Figure 2

MODEL	DIMENSION $\varnothing A$
EIR2NF-02ET/EIS2NF-02ET	$\varnothing 35\text{mm}$
EIR2SF-04ET/EIS2SF-04ET	$\varnothing 57\text{mm}$

Table 1

Installation of PVC pipes:

- Embed a 120mm long PVC pipe in the installation position of the lamp and fix it with concrete (Figure 3). The dimensions of the PVC pipe refer to Table 2;
- Connect the lamp lead to the 12VDC lead inside the PVC pipe (Figure 4);
- Apply sealing silicone evenly on the O-ring of the lamp;
- Install the lighting fixtures into PVC pipes and confirm that the flipped edges of the fixtures are flush with the installation surface (Figure 5);
- Clean the surface of the light outlet of the lamp (Figure 6).

Licensed by "WAC" trademark holder - WAC LIGHTING, USA

Chinese Marketing : WAC Lighting (Shanghai) Co, Ltd.

Headquarters

Address : 14,Lane 299, Bi Sheng Road, Shanghai 201204,China

China factory : Manufactured WAC Lighting (Dongguan) Co, Ltd.

Address : 390, Qingfeng Road, Qingxi Town, Dngguan, Guangdong. Postal code: 523653

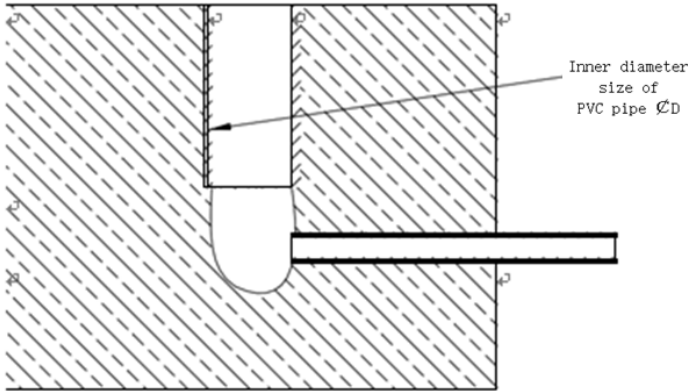


Figure 3

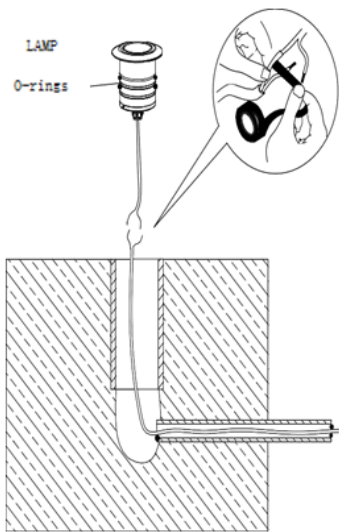


Figure 4

MODEL	Inner diameter size of PVC pipe $\varnothing D$
EIR4NF-02ET EIS4NF-02ET	$\varnothing 24.3\text{mm} \pm 0.3\text{mm}$
EIR4SF-04ET EIS4SF-04ET	$\varnothing 48.5\text{mm} \pm 0.3\text{mm}$

Table 2

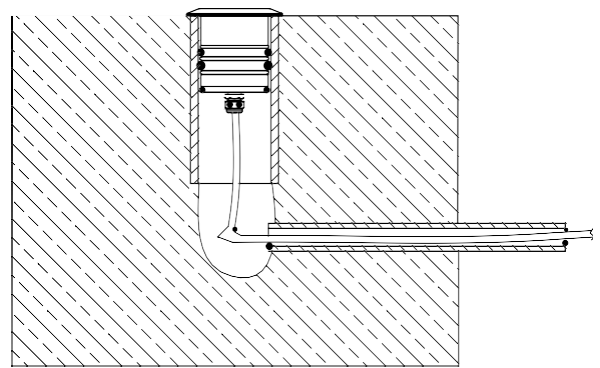


Figure 5

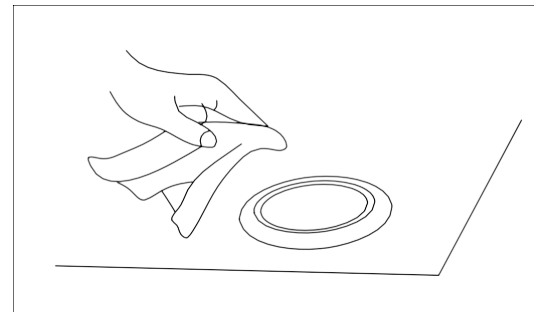


Figure 6

Dismantling and maintenance:

When the lamp needs to be repaired or disassembled, please refer to Figure 7

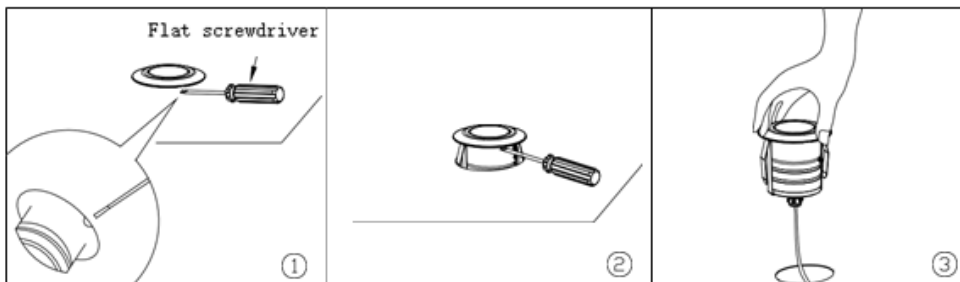


Figure 7

Licensed by "WAC" trademark holder - WAC LIGHTING, USA

Chinese Marketing : WAC Lighting (Shanghai) Co, Ltd.

Headquarters

Address : 14,Lane 299, Bi Sheng Road, Shanghai 201204,China

China factory : Manufactured WAC Lighting (Dongguan) Co, Ltd.

Address : 390, Qingfeng Road, Qingxi Town, Dngguan, Guangdong. Postal code: 523653

Wiring instructions:

Please refer to Figure 8 for lighting fixture wiring

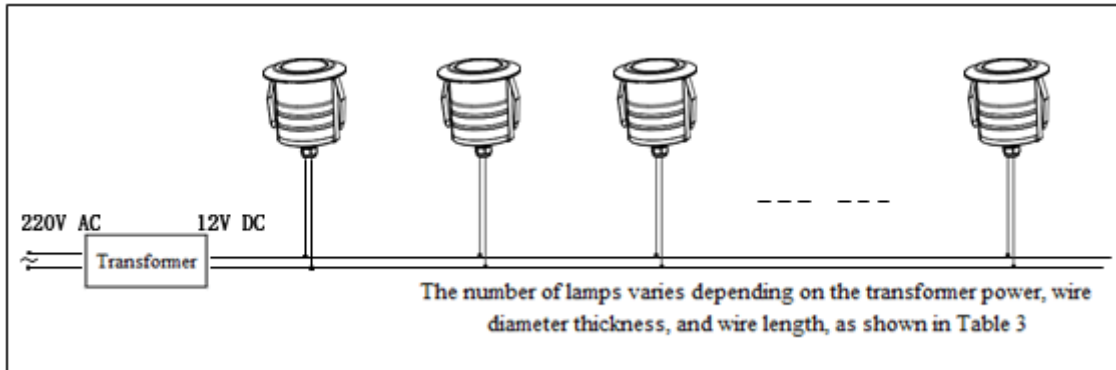


Figure 8

Refer to Table 3 for the number of series connections between transformers, wire diameters, and lighting fixtures:

No.	Transformer Power (W)	Wire Diameter (mm ²)	Wire Length (m)	Suggested number of connected lighting fixtures (PCS)	
				Lamp power 5W	Lamp power 2W
1	100	1.0	50	10	21
2	100	1.0	40	11	23
3	100	1.0	30	12	25
4	100	1.0	20	13	28
5	100	1.0	10	14	30

Table 3

Note:

- The wire diameter in the table is the wire diameter at the output end of the transformer;
- The wires in the table are standard copper core wires;
- The load capacity of the transformer in the table is 100%. If the load capacity decreases, it will be adjusted proportionally;
- Explanation of the calculation method for the number of lamp connections in the table: If the transformer power is increased to 200W, the number of lamp series connections should be correspondingly increased. To ensure that the current carrying capacity of the wires does not exceed the load, the wire diameter must also be increased according to the corresponding proportion.

Licensed by "WAC" trademark holder - WAC LIGHTING, USA

Chinese Marketing : WAC Lighting (Shanghai) Co, Ltd.

Headquarters

Address : 14,Lane 299, Bi Sheng Road, Shanghai 201204,China

China factory : Manufactured WAC Lighting (Dongguan) Co, Ltd.

Address : 390, Qingfeng Road, Qingxi Town, Dngguan, Guangdong. Postal code: 523653