

Model:

This installation instruction is applicable to LED buried lights EIR2NF-02ET、EIS2NF-02ET、EIR2SF-04ET、EIS2SF-04ET、EIR4NF-02ET、EIS4NF-02ET、EIR4SF-04ET、EIS4SF-04ET

Installation Precautions:

1. Please read through the Instructions before installation.
2. The product should be installed by a professional electrician.
3. Make sure the power supply is cut off before installation and maintenance, to avoid the risk of electric shock.
4. Please keep this Instruction properly for future reference

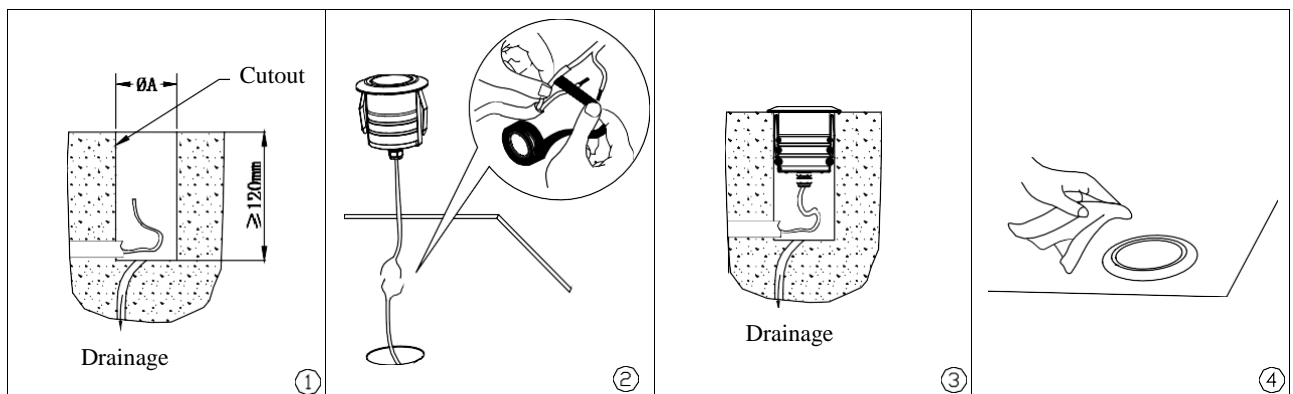
Ground installation:

1. First, open holes at the location where the lighting fixtures are to be installed according to the corresponding model of the lighting fixture as shown in Figure 1-①, with a depth of $\geq 120\text{mm}$. The diameter size is shown in Table 1;

Note: ●To ensure stable and reliable installation of lamps, the openings of lamps must be on hard materials;

●The lamp has waterproof function, but considering that water accumulation may affect the stability of the wire and wiring, it is recommended to add drainage holes to the installation holes.

2. As shown in Figure 1-②, connect the lamp lead to the 12VDC power line, and pay attention to the waterproof treatment of the wire connection;
3. Push the lamp into the hole as shown in Figure 1-③, so that the flange of the lamp is flush with the installation surface;
4. Clean the surface of the light outlet of the lamp according to Figure 1-④ the manufacturer or its service agent or similarly qualified personnel.



Embedded installation:

1. First, open holes according to the corresponding model of the lamp at the location where the lamp is ready to be installed, as shown in Figure 2-①. The diameter size of the holes is shown in Table 1;

Note: To ensure stable and reliable installation of lamps, the openings of lamps must be on hard materials;

2. As shown in Figure 2-②, connect the lamp lead to the 12VDC power supply line;
3. Push the lamp into the hole as shown in Figure 2-③, so that the flipped edge of the lamp is flush with the installation surface;
4. Clean the surface of the light outlet of the lamp according to Figure 2-④

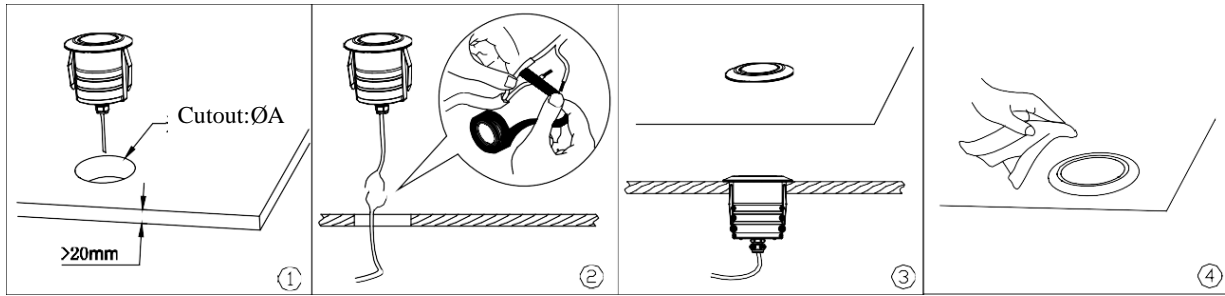


Figure 2

Model	Cutout \varnothing A
EIR2NF-02ET/EIS2NF-02ET	\varnothing 35mm
EIR2SF-04ET/EIS2SF-04ET	\varnothing 57mm

Table 1

Installation of PVC pipes:

1. Embed a 120mm long PVC pipe in the installation position of the lamp and fix it with concrete (Figure 3). The dimensions of the PVC pipe refer to Table 2;
2. Connect the lamp lead to the 12VDC lead inside the PVC pipe (Figure 4);
3. Apply sealing silicone evenly on the O-ring of the lamp;
4. Install the lighting fixture into a PVC pipe and confirm that the flange of the fixture is flush with the installation surface (Figure 5);
5. Clean the surface of the light outlet of the lamp (Figure 6).

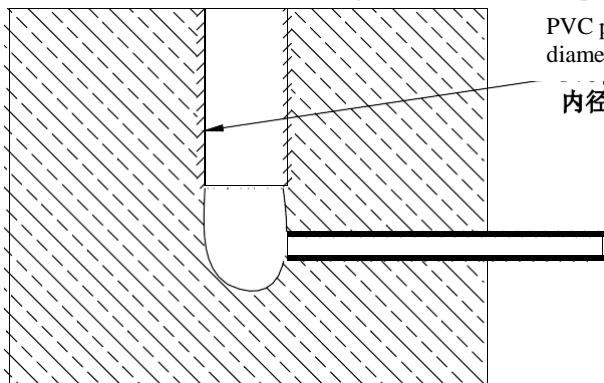


Figure 3

Model	PVC pipe inner diameter \varnothing D
EIR4NF-02ET EIS4NF-02ET	\varnothing 24.3mm \pm 0.3mm
EIR4SF-04ET EIS4SF-04ET	\varnothing 48.5mm \pm 0.3mm

Table 2

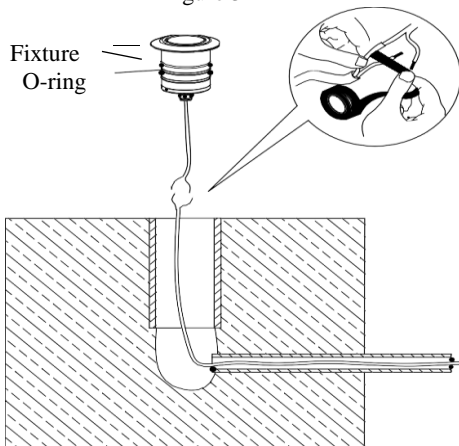


Figure 4

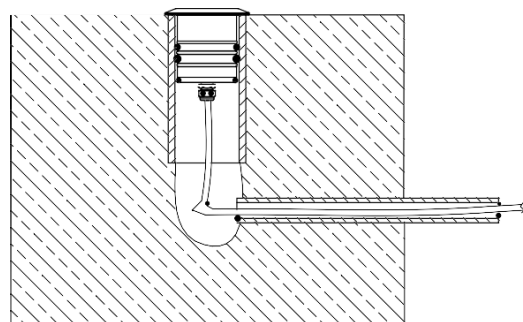


Figure 5

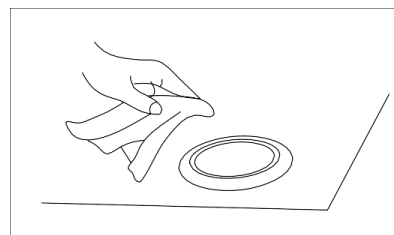


Figure 6

Dismantling and maintenance:

When the lamp needs to be repaired or disassembled, please refer to Figure 7

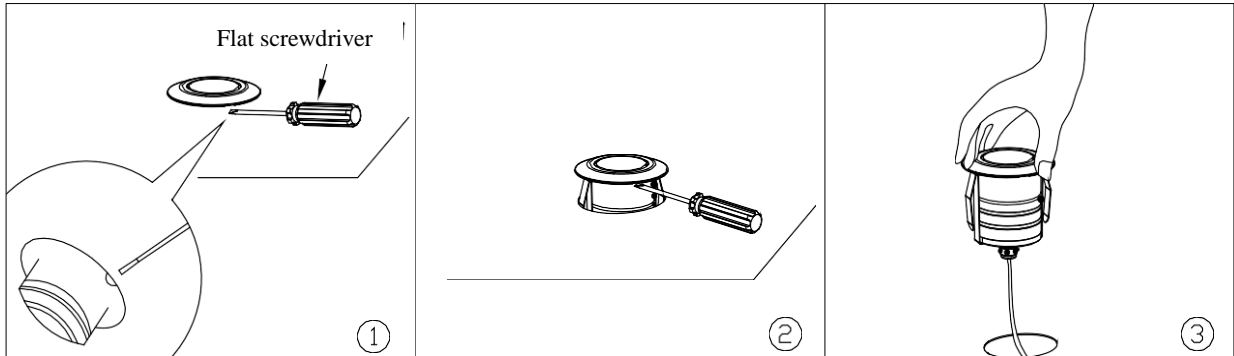


Figure 7

Wiring Instructions:

Please refer to Figure 8 for lighting fixture wiring

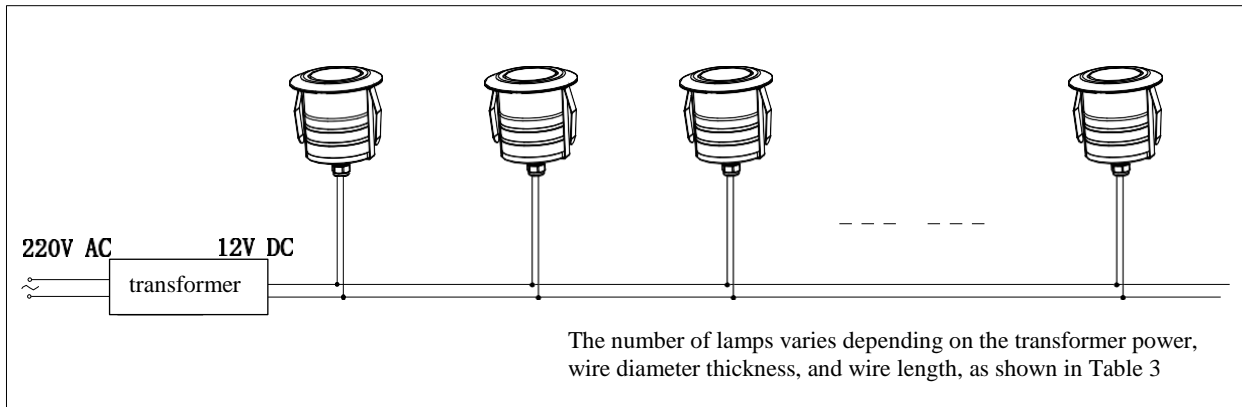


Figure 8

Refer to Table 3 for the number of series connections between transformers, wire diameters, and lighting fixtures:

number	Transformer power (W)	Wire diameter (mm ²)	Wire length (m)	Suggested number of connected lighting fixtures (pieces)	
				Lamp power 5W	Lamp power 2W
1	100	1.0	50	10	21
2	100	1.0	40	11	23
3	100	1.0	30	12	25
4	100	1.0	20	13	28
5	100	1.0	10	14	30

Table 3

Note: ●The wire diameter in the table is the wire diameter at the output end of the transformer;

●The wires in the table are standard copper core wires;

●The load capacity of the transformer in the table is 100%. If the load capacity decreases, it will be adjusted proportionally;

●Explanation of the calculation method for the number of lamp connections in the table: If the transformer power is increased to 200W, the number of lamp series connections should be



Installation Instructions

Model: EIR2NF-02ET、EIS2NF-02ET、EIR2SF-04ET、
EIS2SF-04ET、EIR4NF-02ET、EIS4NF-02ET、
EIR4SF-04ET、EIS4SF-04ET

correspondingly increased. To ensure that the current carrying capacity of the wires does not exceed the load, the wire diameter must also be increased according to the corresponding proportion