

FUEGO PRO- MODEL: EIS1N

In-ground Luminaires



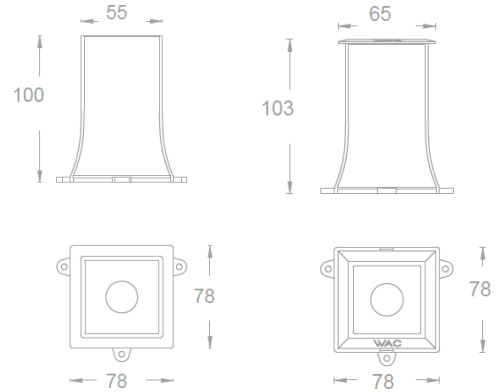
PROJECT:

TYPE:

Product Image



Line Drawing



Product Description

WAC's brand new FUEGO series buried lights have no screws on the surface and are perfectly embedded for installation. The latest LED module has excellent consistency in light output. The specially equipped Gore breathing valve can effectively balance the internal and external air pressure to prevent condensation. The lighting fixtures are suitable for residential areas, hotels, squares, parks, and courtyards, and are suitable for local lighting.

Product Features

- Body Material: Aluminum alloy die-casting
- Optical System: Lens
- Finish: Static electricity powder coating
- Adjustable Angle: /
- Accessories: Embedded parts, suction cups
- Certification: CCC
- IP Rating: IP67/ IK08 (Load capacity 500Kg)
- Insulation Level: Class III
- Operating Temperature: -20°C~50°C

Product Specifications

- LED Type: High Power
- Power: 3W(Max)
- Source Lm: 3000K 270m;4000K 284lm
- LED Lifetime:>50000h-L70 / B10-Ta25°C(LM-80 / TM-21)
- CCT/CRI: 3000K,Ra80 / 4000K,Ra80
- SDCM: 3 SDCM
- Input: 24V/DC
- Dimming: ON-OFF or DMX512 Dimming control
- Net Weight: 0.32Kg without packing

Order Model

Model	Comment	Power (W)	LEDs (quantity)	Max Lumens (lm)	Control Systems	Beam	CCT	Finish
EIS1N	T Frameless F Frame	03 3(Max)	1	162	ET ON-OFF 24V/DC Power Supply	S 8° 1 15° 2 25° 4 45°	30 3000K 40 4000K	S Stainless Steel

Example:EIS1NT-03ET-S30-S

FUEGO PRO- MODEL: EIS1N

In-ground Luminaires



PROJECT:

TYPE:

Accessory

SQUARE	SUCTION CUP	Mini Square EMBEDDED PART	
Model	EIR1NT-SC001	EIS1NT-RC001	SIZE
<p>Dimensions for Square: 55 (height), 55 (width), 65 (width), 65 (width). Dimensions for Mini Square Embedded Part: 55 (width), 100 (height).</p>			

LIGHT distribution@3000K IUMINAIRE DATA

	<p>MODEL: EIS1NT-03ET-S30-S</p> <p>BEAMANGLE: 8°</p> <p>POWER: 3.4W</p> <p>LUMENS: 162lm</p> <p>CBCP: /</p> <p>EFFICACY: 48lm/W</p>		<p>MODEL: EIS1NT-03ET-130-S</p> <p>BEAMANGLE: 15°</p> <p>POWER: 3.4W</p> <p>LUMENS: 154lm</p> <p>CBCP: /</p> <p>EFFICACY: 45lm/W</p>
	<p>MODEL: EIS1NT-03ET-230-S</p> <p>BEAMANGLE: 25°</p> <p>POWER: 3.4W</p> <p>LUMENS: 148lm</p> <p>CBCP: /</p> <p>EFFICACY: 44lm/W</p>		<p>MODEL: EIS1NT-03ET-430-S</p> <p>BEAMANGLE: 45°</p> <p>POWER: 3.4W</p> <p>LUMENS: 108lm</p> <p>CBCP: /</p> <p>EFFICACY: 32lm/W</p>