

**Model:**

This installation manual is applicable to the EIL205 \*, EIL210 \*, and EIL203 series of LED outdoor hard strip lights, where "\*" includes information on different control systems, color temperatures, and appearance colors of the lighting fixtures

**Installation Precautions:**

1. Please read through the Instructions before installation.
2. The product should be installed by a professional electrician.
3. Make sure the power supply is cut off before installation and maintenance, to avoid the risk of electric shock.
4. Please keep this Instruction properly for future reference.

**Installation method and steps:**

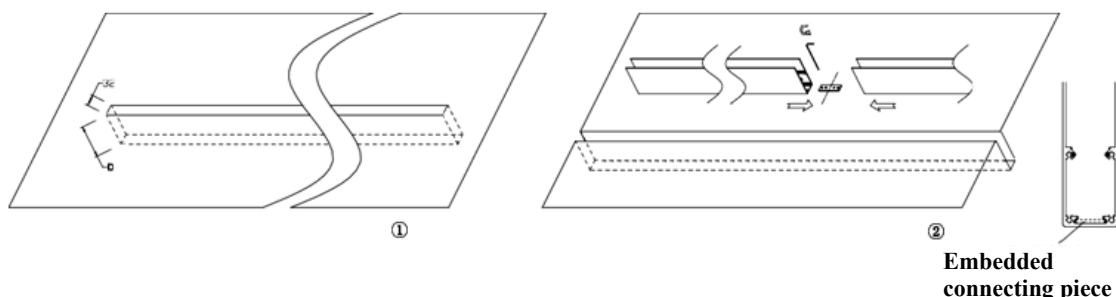
1. The installation method of this series of LED hard strip lights is only suitable for embedded installation on the ground, with embedded parts fixed in the ground groove, and the lighting fixtures fixed with embedded parts.

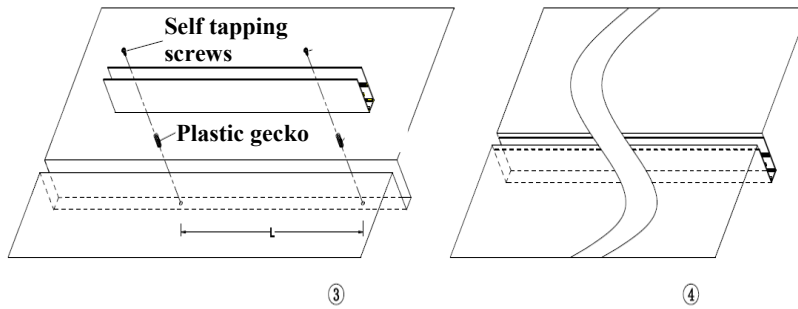
Note: Self tapping screws and plastic geckos for fixing embedded parts must be provided by the construction party.

2. The installation method of embedded parts is shown in Figure 1.

① Make a groove at the installation position of the lamp, with a width of 32mm and a depth of D corresponding to the lamp height of 90mm. The groove length corresponds to the length of the installed lamp or the length of the spliced lamp; ② If the embedded parts of the lighting fixture are used for splicing, adjacent embedded parts need to be connected with connecting pieces: insert the bottom slots of the two embedded parts on both sides of the connecting pieces and tighten the screws; ③ Drill holes corresponding to the fixed holes of the embedded box in the slot, and refer to Table 1 for the distance between the fixed holes of the embedded parts. Place the plastic gecko into the hole, install the embedded part, and lock the self tapping screws (plastic gecko and self tapping screws need to be purchased by oneself); ④ Installation of embedded parts completed

Note: When splicing embedded parts, the end caps of the embedded parts need to be removed, and only one end cap should be installed on each side of the embedded parts





| Model   | Hole spacing (mm) |
|---------|-------------------|
| EIL203* | 150               |
| EIL205* | 210               |
| EIL210* | 400               |

Table 1

Figure 1

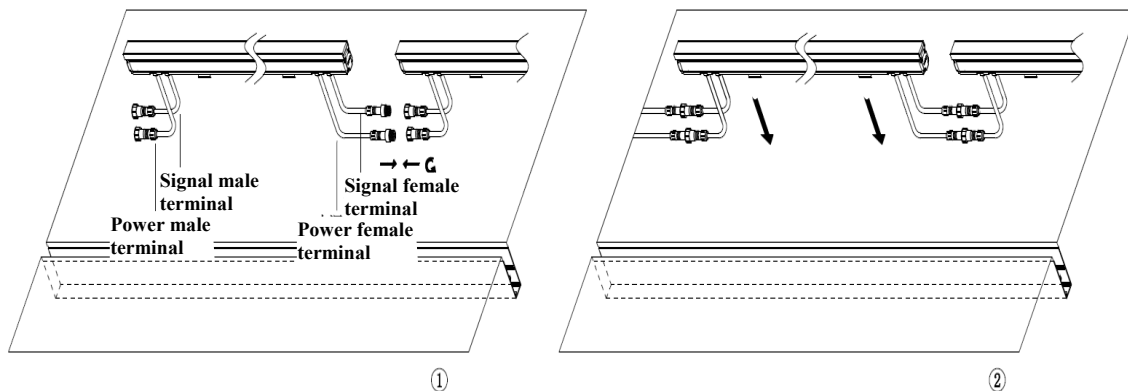
### 3. Installation method of lighting fixtures:

There are power and signal wiring terminals on both sides of the lamp, and the installation of the lamp refers to Figure 2 (a)

①Adjacent lamps are connected to the male and female ends of the power line and the male and female ends of the signal line, respectively; ②Install the lighting fixtures into the embedded parts; There are only power connection terminals on both sides of the lamp, and the installation of the lamp refers to Figure 2 (b),

①Connect the male and female ends of the power cord to adjacent lighting fixtures; ②Install the lighting fixture into the embedded parts;

**Notes: The nuts connecting the male and female ends of the power and signal lines must be tightened to ensure waterproofing**



Power cord male and female end labeling

|               |               |
|---------------|---------------|
| Brown:DC 24V+ | Brown:DC 24V+ |
| Blue: DC 24V- | Blue: DC 24V- |

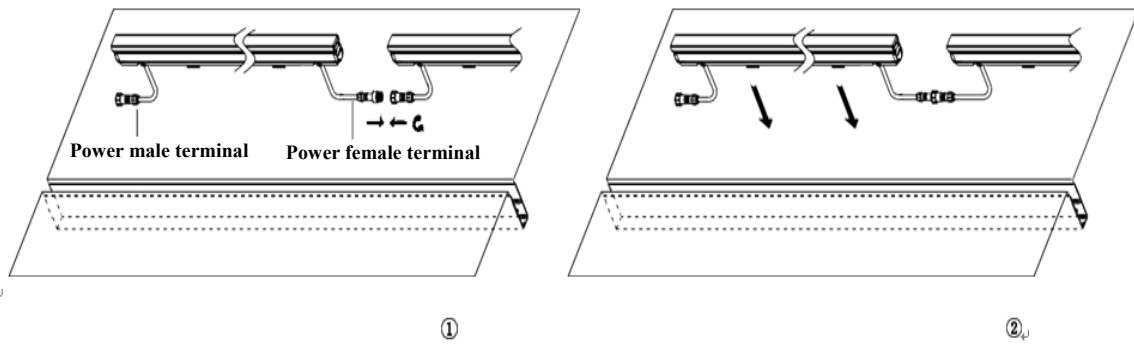
Signal line male labeling

|                          |                          |
|--------------------------|--------------------------|
| Input terminal: Blue: D+ | Input terminal: Blue: D+ |
| Chartreuse: D-           | Chartreuse: D-           |
| Brown: Pin               | Brown: Pin               |
| Black: Gnd               | Black: Gnd               |

Signal line female labeling

|                           |                           |
|---------------------------|---------------------------|
| Output terminal: Blue: D+ | Output terminal: Blue: D+ |
| Chartreuse: D-            | Chartreuse: D-            |
| Brown: Pout               | Brown: Pout               |
| Black: Gnd                | Black: Gnd                |

Figure 2 (a)



Power cord male and female terminal labels

|               |               |
|---------------|---------------|
| Brown:DC 24V+ | Brown:DC 24V+ |
| Blue: DC 24V- | Blue: DC 24V- |

Figure 2 (b)

The installation of the lighting fixtures is completed as shown in Figure 3

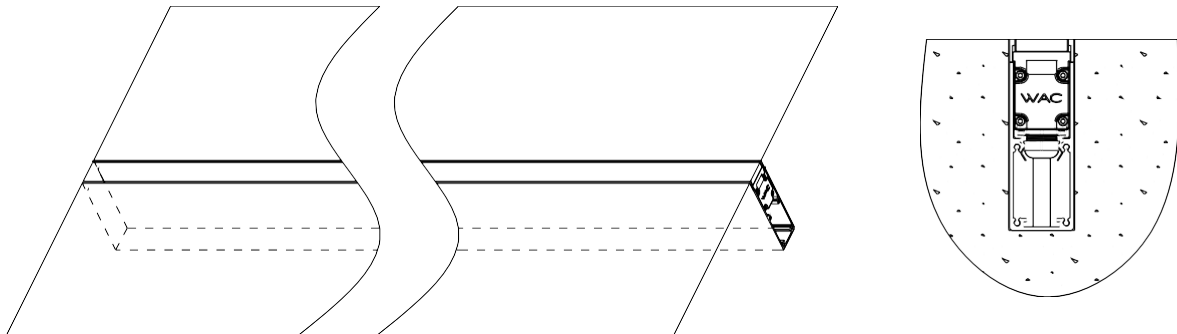


Figure 3

4. The wiring of lamps without dimming function is shown in Figure 4.

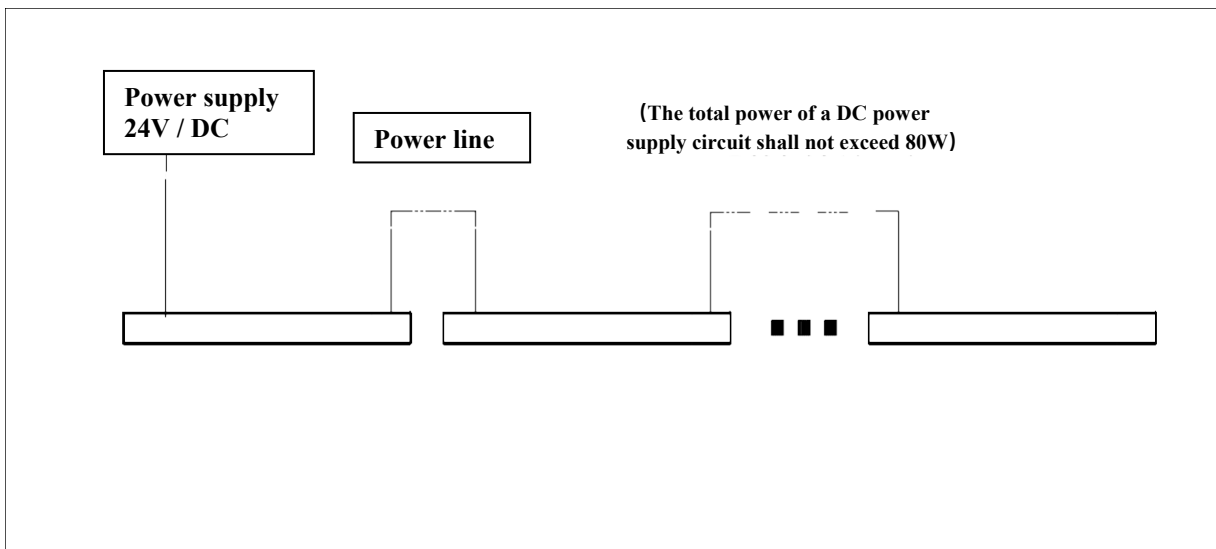


Figure 4

5. The wiring of lamps with dimming function is shown in Figure 5

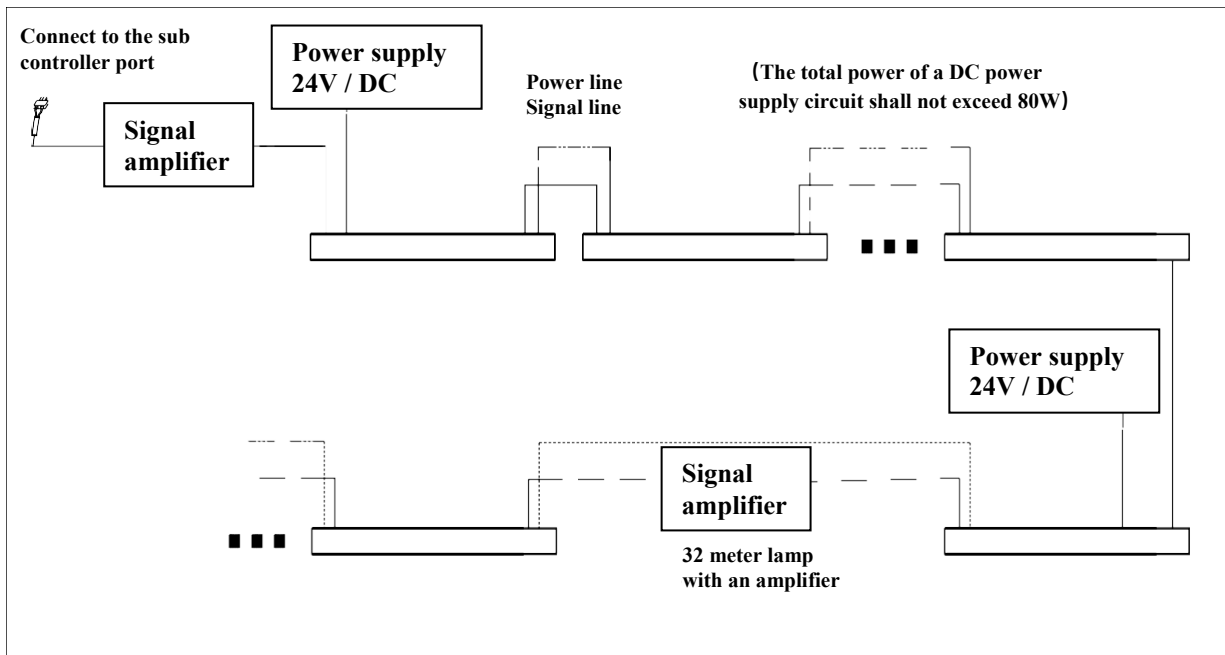


Figure 5

6. Lamp disassembly

When the lamp needs to be removed from the embedded parts, insert the lamp removal accessory from one end face of the lamp. When the lamp removal accessory is 41mm higher than the lamp, lift it forcefully to remove one side of the lamp from the embedded parts

**Notes: The edge of the light removal accessory is advantageous, and protective gloves must be worn when disassembling the lamp with the light removal accessory to prevent hand injuries during the light removal process!**

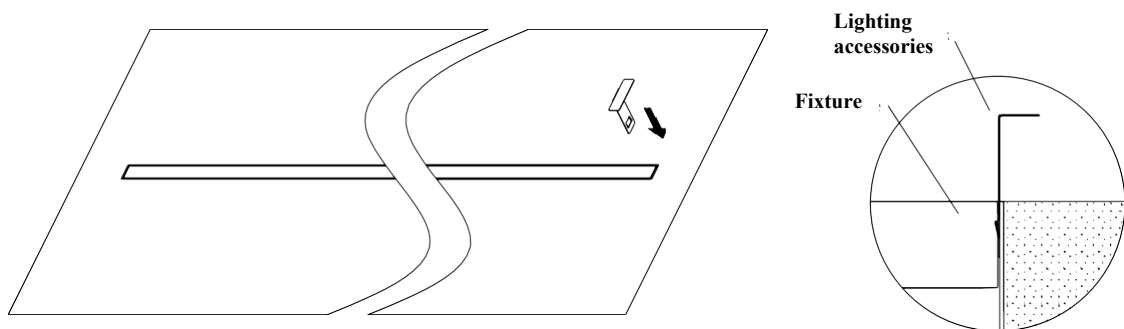


Figure 6

Notes:

The connection of power and signal lines should be made using the waterproof connector wire provided by our company;

The maximum total power of a power supply circuit shall not exceed 80W, and the number of lamps connected to each DC power supply circuit shall be determined based on the power value of the lamps;

Before connecting the lighting fixture to the sub control port, a signal amplifier is added; Then, a signal amplifier is added to every 32 meters of lighting fixtures, and a signal amplifier is added to every 16 meters of lighting fixtures for 1-meter eight segment control dimming fixtures;

The usage of the main controller and sub controller can be found in the manual of the main controller and sub controller.