

FUEGO COMPACT - MODEL: EIR5M

In-ground Luminaires

WAC

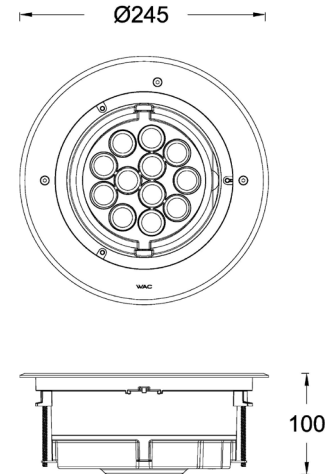
PROJECT:

TYPE:

Product Image



Line Drawing



Product Description

FUEGO Compact Adjustable has an adjustable angle range of 0 °~25 °. The surface frame is made of high-quality stainless steel, and the lamp body is aluminum die-casting and high-temperature powder spraying. Suitable for outdoor environments, IP67 protection level, IK08 impact resistance level, can withstand pressure of 2000kg. High transmittance lens+hidden light system. Cooperate with the design of the embedded cylinder to facilitate customer installation and maintenance. Applied to residential areas, squares, parks, shopping centers, sculpture decoration lighting, etc.

Product Features

- Body Material: Stainless steel frame+aluminum die-casting lamp body
- Optical System: Lens+SUBROSA® Hidden light system
- Finish: Static electricity powder coating
- Adjustable Angle: 0-25° tilt
- Accessories: As attached
- Certification: CCC
- IP Rating: IP67,IK08
- Insulation Level: Class I
- Operating Temperature: -20°C~50°C

Product Specifications

- LED Type: HP LED
- Light power: 16.5W Max
- Source Lm: 3000K 1830LM
- LED Lifetime: >50000h-L70 /B10-Ta25°C(LM-80/TM-21)
- CCT/CRI: 2700K, 3000K, 4000K, Ra80;
- SDCM: 3 SDCM
- Input: 220V AC / 50Hz
- Dimming: On-off /
- Net Weight: 3.9Kg without packing

Order Model

Model	Comment	Power (W)	LEDs (quantity)	Max Lumens(lm)	Control Systems	CCT	Beam	Finish
EIR5M	A Adjustable	16	12	1348	EL ON-OFF 220V AC Power Supply	27 2700K	S 7°	SS Stainless Steel
		16(Max)				30 3000K	1 14°	
						40 4000K	2 20°	
							3 30°	

Example: EIR5MA-16EL-S27SS

WAC Lighting
www.waclighting.com (US)
www.waclighting.com.cn (China)

Headquarters
44 Harbor Park Drive • Port Washington, NY
Phone (516) 515.5000 • Fax (516) 515.5050

WAC Lighting(Shanghai)
14,Lane 299, Bi Sheng Road, Shanghai 201204,China
Phone (86.21) 3393.3558 • Fax (86.21) 3362.1598

WAC Lighting reserves the right to periodically design and update products.2024-01-26

FUEGO COMPACT - MODEL: EIR5M


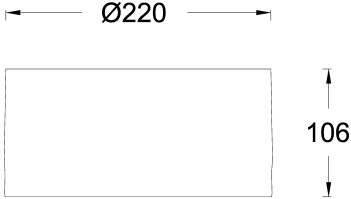
In-ground Luminaires



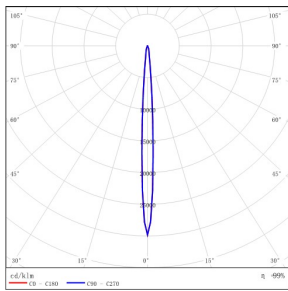
PROJECT:

TYPE:

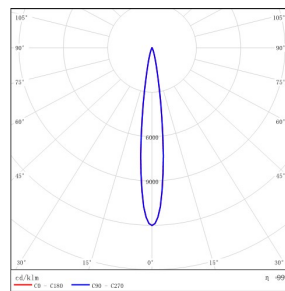
Accessories

Item	Description	Pic	Description Dimensions
EIR5MA-RC001	Recessed Casing		

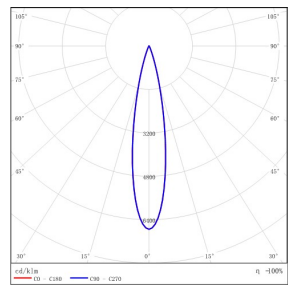
LIGHT DISTRIBUTION@3000K LUMINAIRE DATA



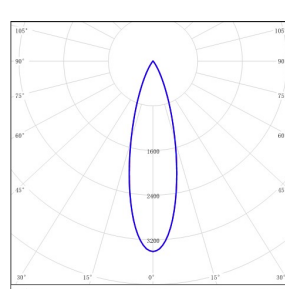
MODEL: EIR5MA-16EL-S30SS
BEAM ANGLE: 6.9°
POWER: 21.8W
LUMENS: 1348lm
CBCP: /
EFFICACY: 61.75lm/W



MODEL: EIR5MA-16EL-130SS
BEAM ANGLE: 14.4°
POWER: 21.4W
LUMENS: 1243.3lm
CBCP: /
EFFICACY: 58.1lm/W



MODEL: EIR5MA-16EL-230SS
BEAM ANGLE: 20.3°
POWER: 21.45W
LUMENS: 1234.9lm
CBCP: /
EFFICACY: 57.56lm/W



MODEL: EIR5MA-16EL-330SS
BEAM ANGLE: 30°
POWER: 21.4W
LUMENS: 1192.6lm
CBCP: /
EFFICACY: 55.64lm/W

FUEGO COMPACT - MODEL: EIR6M

In-ground Luminaires

WAC

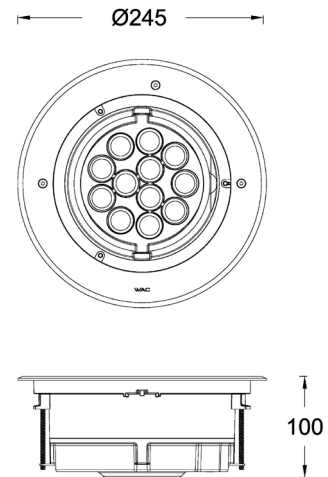
PROJECT:

TYPE:

Product Image



Line Drawing



Product Description

FUEGO Compact Adjustable has an adjustable angle range of 0 °~25 °. The surface frame is made of high-quality stainless steel, and the lamp body is aluminum die-casting and high-temperature powder spraying. Suitable for outdoor environments, IP67 protection level, IK08 impact resistance level, can withstand pressure of 2000kg. High transmittance lens+hidden light system. Cooperate with the design of the embedded cylinder to facilitate customer installation and maintenance. Applied to residential areas, squares, parks, shopping centers, sculpture decoration lighting, etc.

Product Features

- Body Material: Stainless steel frame+aluminum die-casting lamp body
- Optical System: Lens+SUBROSA® Hidden light system
- Finish: Static electricity powder coating
- Adjustable Angle: 0-25° tilt
- Accessories: As attached
- Certification: CCC
- IP Rating: IP67,IK08
- Insulation Level: Class I
- Operating Temperature: -20°C~50°C

Product Specifications

- LED Type: HP LED
- Light power: 16.5W Max
- Source Lm: 3000K 1830LM
- LED Lifetime: >50000h-L70 /B10-Ta25°C(LM-80/TM-21)
- CCT/CRI: 2700K, 3000K, 4000K, Ra80;
- SDCM: 3 SDCM
- Input: 220V AC / 50Hz
- Dimming: On-off /
- Net Weight: 3.9Kg without packing

Order Model

Model	Comment	Power (W)	LEDs (quantity)	Max Lumens(lm)	Control Systems	CCT	Beam	Finish
EIR6M	A Adjustable	16 16(Max)	12	936	EL ON-OFF 220V AC Power Supply	27 2700K	S 7°	SS Stainless Steel
						30 3000K	1 13°	
						40 4000K	2 20°	
							3 30°	

Example: EIR5MA-16EL-S27SS

WAC Lighting
www.waclighting.com (US)
www.waclighting.com.cn (China)

Headquarters
44 Harbor Park Drive • Port Washington, NY
Phone (516) 515.5000 • Fax (516) 515.5050

WAC Lighting(Shanghai)
14,Lane 299, Bi Sheng Road, Shanghai 201204,China
Phone (86.21) 3393.3558 • Fax (86.21) 3362.1598

WAC Lighting reserves the right to periodically design and update products.2024-01-26

FUEGO COMPACT - MODEL: EIR6M

In-ground Luminaires



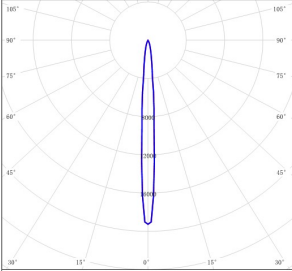
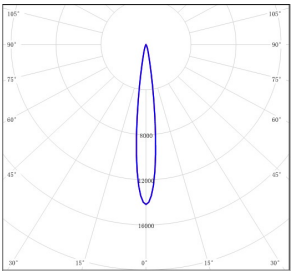
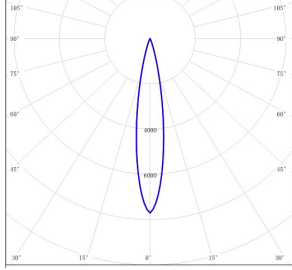
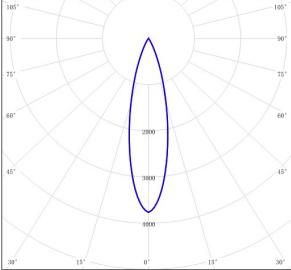
PROJECT:

TYPE:

Accessories

Item	Description	Pic	Description Dimensions
EIR5MA-RC001	Recessed Casing		

LIGHT DISTRIBUTION@3000K LUMINAIRE DATA

	MODEL: EIR6MA-16EL-S30SS BEAM ANGLE: 7.3° POWER: 21.5W LUMENS: 935.8lm CBCP: / EFFICACY: 43.45lm/W		MODEL: EIR6MA-16EL-130SS BEAM ANGLE: 13.1° POWER: 21.5W LUMENS: 743.9lm CBCP: / EFFICACY: 34.64lm/W
	MODEL: EIR6MA-16EL-230SS BEAM ANGLE: 20° POWER: 21.6W LUMENS: 745.5lm CBCP: / EFFICACY: 34.46lm/W		MODEL: EIR6MA-16EL-330SS BEAM ANGLE: 30° POWER: 21.8W LUMENS: 761.2lm CBCP: / EFFICACY: 34.92lm/W