

FUEGO COMPACT - MODEL: EIR7S

In-ground Luminaires

WAC LIGHTING
Responsible Lighting®

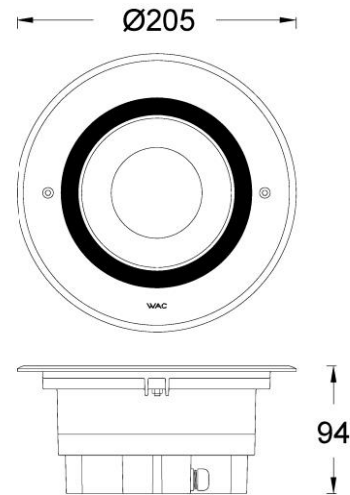
PROJECT :

TYPE :

Product Image



Line Drawing



Product Description

The FUEGO Compact face frame is made of high-quality 316 stainless steel, with the lamp body made of aluminum die-casting and high-temperature powder spraying, suitable for outdoor environments. It has an IP67 protection level and an IK08 impact resistance level, and can withstand pressure of 2000kg. With the design of the embedded cylinder, it is convenient for customers to install and maintain. High transmittance, applied in residential areas, squares, parks, shopping centers, sculpture decoration lighting, etc.

Product Features

- **Body Material** : Aluminum alloy die-casting + Stainless steel frame
- **Optical System** : Lens
- **Finish** : Static electricity powder coating
- **Adjustable Angle** : /
- **Accessories** : Embedded cylinder
- **Certification** : CCC
- **IP Rating** : IP67 , IK08
- **Insulation Level** : Class I
- **Operating Temperature** : -20°C~50°C

Product Specifications

- **LED Typ** : COB
- **LED Power** : 21W Max
- **Source Lm** : 3000K 3010lm
- **LED Lifetime** : >50000h-L70 /B10-Ta25°C(LM-80/TM-21)
- **CCT/CRI** : 2700K , 3000K , 4000K , Ra90
- **SDCM** : 3 SDCM
- **Input** : 220V AC/50Hz
- **Dimming** : ON-OFF
- **Net Weight** : 2.4Kg , without packing

Order Model

Model	Comment	Power (W)	LEDs (quantity)	Max Lumens (lm)	Control Systems	Beam	CCT	Finish
EIR7S High Lumens	F Frame	21 21(Max)	COB	2030	EL ON-OFF 220V AC Power Supply	2 22°	27 2700K	SS Stainless Steel
						4 45°	30 3000K	
						5 53°	40 4000K	
						6 63°		

Example : EIR7SF-21EL-227SS

WAC Lighting
www.waclighting.com (US)
www.waclighting.com.cn (China)

Headquarters
44 Harbor Park Drive • Port Washington, NY
Phone (516) 515.5000 • Fax (516) 515.5050

WAC Lighting Technology (Shanghai) Co., Ltd
14, Lane 299, Bi Sheng Road, Shanghai 201204
Phone (86.21) 3393.3558 • Fax (86.21) 3362.1598

WAC Lighting reserves the right to periodically design and update products. 2021-04-16

FUEGO COMPACT - MODEL: EIR7S

In-ground Luminaires

WAC LIGHTING

Responsible Lighting®

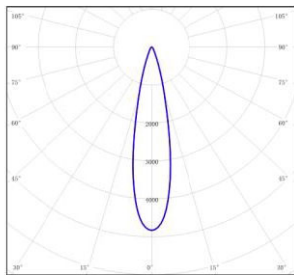
PROJECT :

TYPE :

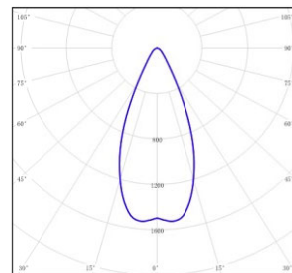
Accessory

Item	Description	Pic	Description Dimensions
EIR5SF-RC001	Recessed Casing		

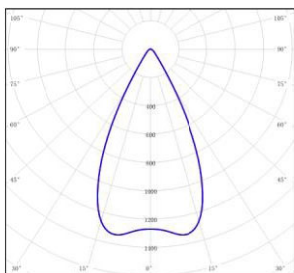
LIGHT DISTRIBUTION@3000K LUMINAIRE DATA



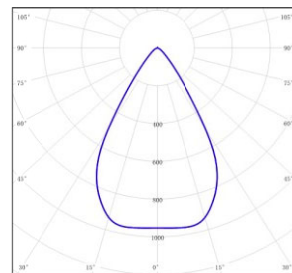
MODEL : EIR7SF-21EL-230SS
BEAM ANGLE : 22°
POWER : 24.8W
LUMENS: 1974 lm
CBCP : /
EFFICACY : 79.6 lm /W



MODEL : EIR7SF-21EL-430SS
BEAM ANGLE : 45°
POWER : 24.8W
LUMENS: 1900 lm
CBCP : /
EFFICACY : 76.6 lm /W



MODEL : EIR7SF-21EL-530SS
BEAM ANGLE : 53°
POWER : 24.8W
LUMENS: 2030 lm
CBCP : /
EFFICACY : 81.9 lm /W



MODEL : EIR7SF-21EL-630SS
BEAM ANGLE : 63°
POWER : 24.8W
LUMENS: 1979 lm
CBCP : /
EFFICACY : 79.9 lm /W

FUEGO COMPACT - MODEL: EIR8S

In-ground Luminaires

WAC LIGHTING
Responsible Lighting®

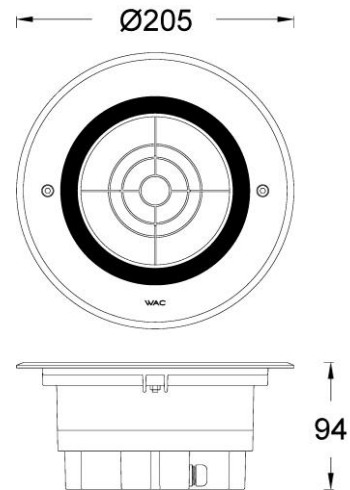
PROJECT:

TYPE:

Product Image



Line Drawing



Product Description

The FUEGO Compact face frame is made of high-quality 316 stainless steel, with the lamp body made of aluminum die-casting and high-temperature powder spraying. It is suitable for outdoor environments, with an IP67 protection level and an IK08 impact resistance level. It can withstand pressure of 2000kg and has an efficient anti glare design with a cut-off angle of 33°. Cooperate with the design of the embedded cylinder to facilitate customer installation and maintenance. Applied to residential areas, squares, parks, shopping centers, sculpture decoration lighting, etc.

Product Features

- **Body Material** : Aluminum alloy die-casting + Stainless steel frame
- **Optical System** : Lens
- **Finish** : Static electricity powder coating
- **Adjustable Angle**: /
- **Accessories** : Embedded cylinder
- **Certification** : CCC
- **IP Rating** : IP67 , IK08
- **Insulation Level** : Class I
- **Operating Temperature** : -20°C~50°C

Product Specifications

- **LED Typ** : COB
- **LED Power** : 21W Max
- **Source Lm** : 3000K 3010lm
- **LED Lifetime** : >50000h-L70 /B10-Ta25°C(LM-80/TM-21)
- **CCT/CRI** : 2700K , 3000K , 4000K , Ra90
- **SDCM** : 3 SDCM
- **Input** : 220V AC/50Hz
- **Dimming** : ON-OFF
- **Net Weight** : 2.4Kg , without packing

Order Model

Model	Comment	Power (W)	LEDs (quantity)	Max Lumens (lm)	Control Systems	Beam	CCT	Finish
EIR8S Super Comfort	F Frame	21 21(Max)	COB	1192	EL ON-OFF 220V AC Power Supply	2 21°	27 2700K 30 3000K 40 4000K	SS Stainless Steel
						4 40°		
						5 50°		
						6 60°		

Example : EIR8SF-21EL-227SS

FUEGO COMPACT - MODEL: EIR8S

In-ground Luminaires

WAC LIGHTING

Responsible Lighting®

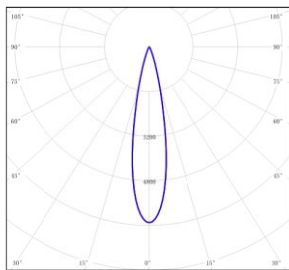
PROJECT:

TYPE:

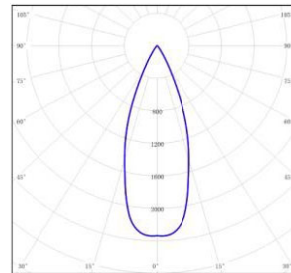
Accessory

Item	Description	Pic	Description Dimensions
EIR5SF-RC001	Recessed Casing		 <p>Ø183 106</p>

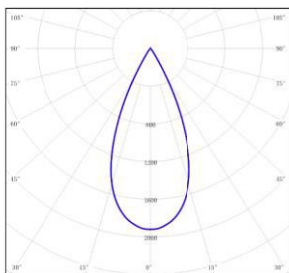
LIGHT DISTRIBUTION@3000K LUMINAIRE DATA



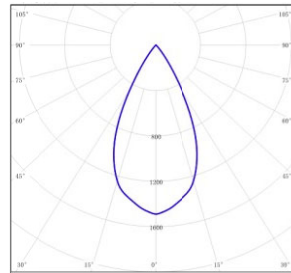
MODEL : EIR8SF-21EL-230SS
BEAM ANGLE : 21°
POWER : 25.2W
LUMENS: 1192 lm
CBCP : /
EFFICACY : 48 lm /W



MODEL : EIR8SF-21EL-430SS
BEAM ANGLE : 40°
POWER : 24.8W
LUMENS 1027 lm
CBCP : /
EFFICACY : 41.3 lm /W



MODEL : EIR8SF-21EL-530SS
BEAM ANGLE : 50°
POWER : 24.8W
LUMENS: 1190 lm
CBCP : /
EFFICACY : 47.9 lm /W



MODEL : EIR8SF-21EL-630SS
BEAM ANGLE : 60°
POWER : 24.8W
LUMENS: 1048 lm
CBCP : /
EFFICACY : 42.2 lm /W