

FUEGO COMPACT - MODEL: EIR5S

In-ground Luminaires

WAC

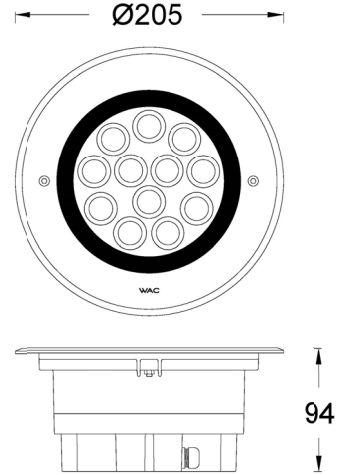
PROJECT:

TYPE:

Product Image



Line Drawing



Product Description

The FUEGO Compact face frame is made of high-quality 316 stainless steel, with the lamp body made of aluminum die-casting and high-temperature powder spraying, suitable for outdoor environments. It has an IP67 protection level and an IK08 impact resistance level, and can withstand pressure of 2000kg. Cooperate with the design of the embedded cylinder to facilitate customer installation and maintenance. High transmittance lens, applied in residential areas, squares, parks, shopping centers, sculpture decoration lighting, etc.

Product Features

- Body Material: Stainless steel frame+ aluminum die-casting lamp body
- Optical System: Lens+SUBROSA® Hidden light system
- Finish: Electrostatic powder coating
- Adjustable Angle: /
- Accessories: /
- Certification: CCC
- IP Rating: IP67,IK08
- Insulation Level: Class I
- Operating Temperature: -20°C~50°C

Product Specifications

- LED Type: High Power LED
- LED Power: 21W Max
- Source Lm: 3000K 1800lm;
- LED Lifetime: >50000h-L70 /B10-Ta25°C(LM-80/TM-21)
- CCT/CRI: 2700K/ 3000K/4000K, Ra80
- SDCM: 3 SDCM
- Input: 220V AC / 50Hz
- Dimming: On-off
- Net Weight: 2.45Kg without packing

Order Model

Model	Comment	Power (W)	LEDs (quantity)	Max Lumens (lm)	Control Systems	Beam	CCT	Finish
EIR5S High Lumens	F Frame	21 21(Max)	12	1503	EL ON-OFF 220V AC Power Supply	S 7° 1 14°	27 2700K 30 3000K	SS Stainless Steel
		19 19(Max)	12	1360	ML DMX512 Dimming 220V AC Power Supply	2 20° 3 30°	40 4000K	Steel

Example: EIR5SF-21EL-S27S

WAC Lighting
www.waclighting.com (US)
www.waclighting.com.cn (China)

Headquarters
44 Harbor Park Drive • Port Washington, NY
Phone (516) 515.5000 • Fax (516) 515.5050

WAC Lighting(Shanghai)
14,Lane 299, Bi Sheng Road, Shanghai 201204,China
Phone (86.21) 3393.3558 • Fax (86.21) 3362.1598

WAC Lighting reserves the right to periodically design and update products.2024-01-29

FUEGO COMPACT - MODEL: EIR5S

In-ground Luminaires

WAC LIGHTING

Responsible Lighting®

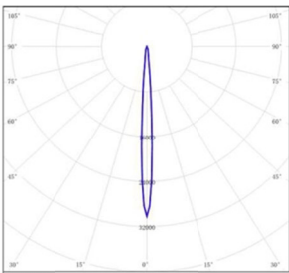
项目名称:

灯位号:

Accessories

Item	Description	Pic	Description Dimensions
EIR5SF-RC001	Recessed Casing		

LIGHT DISTRIBUTION@3000K LUMINAIRE DATA



MODEL: EIR5SF-21EL-S30SS

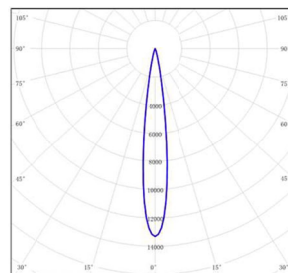
BEAM ANGLE: 7°

POWER: 26.4W

LUMENS: 1343 lm

CBCP: /

EFFICACY: 50.6 lm /W



MODEL: EIR5SF-21EL-130SS

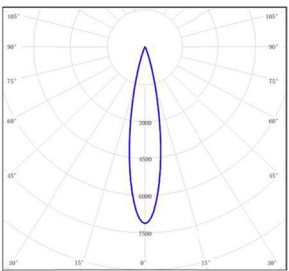
BEAM ANGLE: 14°

POWER: 26.5W

LUMENS: 1503 lm

CBCP: /

EFFICACY: 56.7 lm /W



MODEL: EIR5SF-21EL-230SS

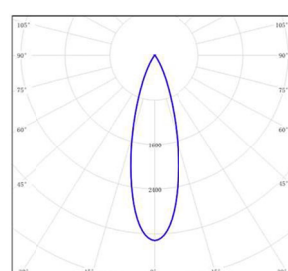
BEAM ANGLE: 20°

POWER: 26.4W

LUMENS: 1486 lm

CBCP: /

EFFICACY: 56 lm /W



MODEL: EIR5SF-21EL-330SS

BEAM ANGLE: 30°

POWER: 26.4 W

LUMENS: 1402 lm

CBCP: /

EFFICACY: 52.9 lm /W

WAC Lighting
www.waclighting.com (US)
www.waclighting.com.cn (China)

Headquarters
44 Harbor Park Drive • Port Washington, NY
Phone (516) 515.5000 • Fax (516) 515.5050

WAC Lighting(Shanghai)
14,Lane 299, Bi Sheng Road, Shanghai 201204,China
Phone (86.21) 3393.3558 • Fax (86.21) 3362.1598

WAC Lighting reserves the right to periodically design and update products.2024-01-29

FUEGO COMPACT - MODEL: EIR6S

In-ground Luminaires

WAC

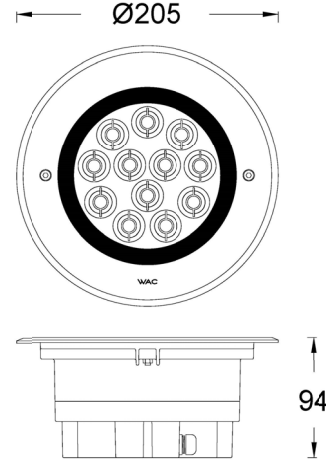
PROJECT:

TYPE:

Product Image



Line Drawing



Product Description

The FUEGO Compact face frame is made of high-quality 316 stainless steel, with the lamp body made of aluminum die-casting and high-temperature powder spraying, suitable for outdoor environments. It has an IP67 protection level and an IK08 impact resistance level, and can withstand pressure of 2000kg. Efficient anti glare design+patented hidden light system. Cooperate with the design of the embedded cylinder to facilitate customer installation and maintenance. Applied to residential areas, squares, parks, shopping centers, sculpture decoration lighting, etc.

Product Features

- Body Material: Stainless steel frame+ aluminum die-casting lamp body
- Optical System: Lens+SUBROSA ® Hidden light system
- Finish: Electrostatic powder coating
- Adjustable Angle: /
- Accessories: /
- Certification: CCC
- IP Rating: IP67,IK08
- Insulation Level: Class I
- Operating Temperature: -20°C~50°C

Product Specifications

- LED Type: High Power LED
- LED Power: 21W Max
- Source Lm: 3000K 1800lm;
- LED Lifetime: >50000h-L70 /B10-Ta25°C(LM-80/TM-21)
- CCT/CRI: 2700K/ 3000K/4000K, Ra80
- SDCM: 3 SDCM
- Input: 220V AC / 50Hz
- Dimming: On-off
- Net Weight: 2.45Kg without packing

Order Model

Model	Comment	Power (W)	LEDs (quantity)	Max Lumens (lm)	Control Systems	Beam	CCT	Finish
EIR6S Super Comfort	F Frame	21 21(Max)	12	1044	EL ON-OFF 220V AC Power Supply	S 7° 1 13°	27 2700K 30 3000K	SS Stainless Steel
		19 19(Max)	12	945	ML DMX512 Dimming 220V AC Power Supply	2 20° 3 30°	40 4000K	

Example: EIR6SF-21EL-S27SS

WAC Lighting
www.waclighting.com (US)
www.waclighting.com.cn (China)

Headquarters
44 Harbor Park Drive • Port Washington, NY
Phone (516) 515.5000 • Fax (516) 515.5050

WAC Lighting(Shanghai)
14,Lane 299, Bi Sheng Road, Shanghai 201204,China
Phone (86.21) 3393.3558 • Fax (86.21) 3362.1598

WAC Lighting reserves the right to periodically design and update products.2024-01-29

FUEGO COMPACT - MODEL: EIR6S

In-ground Luminaires



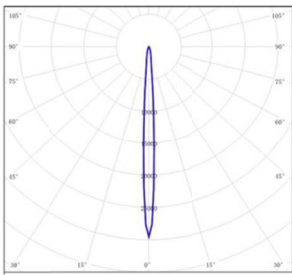
PROJECT:

TYPE:

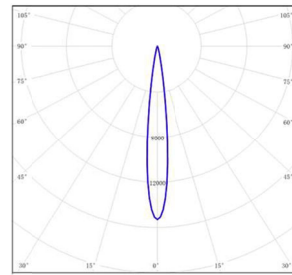
Accessories

Item	Description	Pic	Description Dimensions
EIR5SF-RC001	Recessed Casing		 <p>Ø183 106</p>

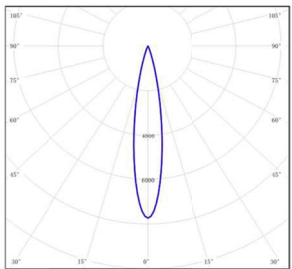
LIGHT DISTRIBUTION@3000K LUMINAIRE DATA



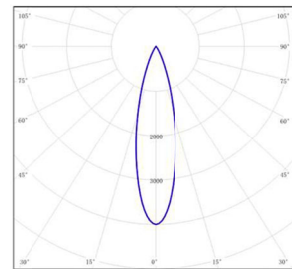
MODEL:	EIR6SF-21EL-S30SS
BEAM ANGLE:	7°
POWER:	26.4W
LUMENS:	1044 lm
CBCP:	/
EFFICACY:	39.5 lm /W



MODEL:	EIR6SF-21EL-130SS
BEAM ANGLE:	13°
POWER:	26.5W
LUMENS:	803 lm
CBCP:	/
EFFICACY:	30.4 lm /W



MODEL:	EIR6SF-21EL-230SS
BEAM ANGLE:	20°
POWER:	26.4W
LUMENS:	844 lm
CBCP:	/
EFFICACY:	32 lm /W



MODEL:	EIR6SF-21EL-330SS
BEAM ANGLE:	30°
POWER:	26.4 W
LUMENS:	847 lm
CBCP:	/
EFFICACY:	32 lm /W

WAC Lighting
www.waclighting.com (US)
www.waclighting.com.cn (China)

Headquarters
44 Harbor Park Drive • Port Washington, NY
Phone (516) 515.5000 • Fax (516) 515.5050

WAC Lighting(Shanghai)
14,Lane 299, Bi Sheng Road, Shanghai 201204,China
Phone (86.21) 3393.3558 • Fax (86.21) 3362.1598