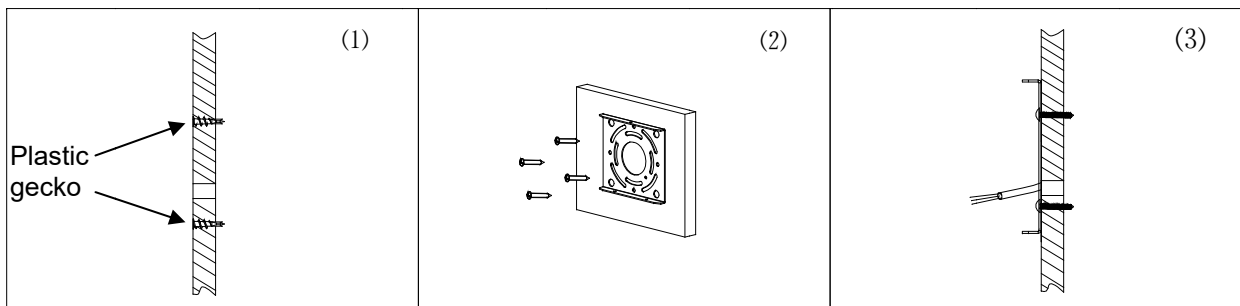


Installation Precautions:

1. Please read through the Instructions before installation.
2. The product should be installed by a professional electrician.
3. To avoid the risk of electric shock, please confirm to turn off the power before installation and maintenance.
4. The installation of lighting fixtures must comply with the corresponding local laws and regulations.
5. Please keep this Instruction properly for future reference

Light Installation:

1. Install plastic geckos according to the hole positions on the mounting plate, and reserve or process wire holes (plastic geckos are included in the parts package), as shown in Figure 1.
2. Take the fixing plate of the lamp mounting base and fix it to the plastic gecko with 4 self tapping screws (included in the parts package), as shown in Figures 2 and 3.



3. Connect the input line of the mains power supply to the power supply line of the lamp, the dimmer and the dimming light together using the waterproof junction box shown in the diagram (the waterproof junction box shown in the diagram is not included, only the dimming model has dimming light), as shown in Figure 4. Attention: The yellow green line is the ground wire (⊕), the live wire is labeled with "L", the zero wire is labeled with "N", and the dimming light is labeled with "+" and "-" respectively (only dimming models).
4. Installation of lamps: Install the lamp mounting bracket onto the fixed plate already installed in step 2, align the three screw holes of the mounting bracket with the screw holes of the fixed plate, place the waterproof rubber ring, tighten the hex socket screw, and insert the silicone plug (silicone plug is in the parts bag, hex socket wrench is not included), as shown in Figures 5 and 6. (Note: If a waterproof junction box is not used, please apply waterproof adhesive between the lamp mounting base and the installation surface after the lamp installation is completed.)

