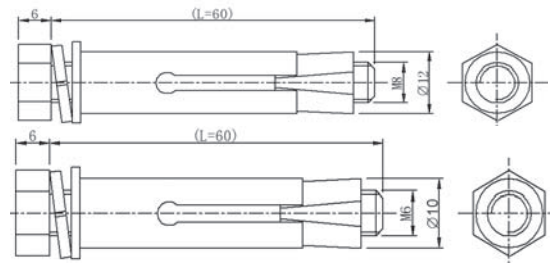


Installation Precautions:

1. Please read the instruction manual carefully before installation;
2. Please have a professional electrician install it;
3. To avoid the risk of electric shock, please confirm to turn off the power before installing, maintaining, or replacing the lighting fixtures;
4. The installation of lighting fixtures must comply with the corresponding local laws and regulations;
5. Suitable for indoor and outdoor installation and use;
6. Keep the instruction manual for reference only.

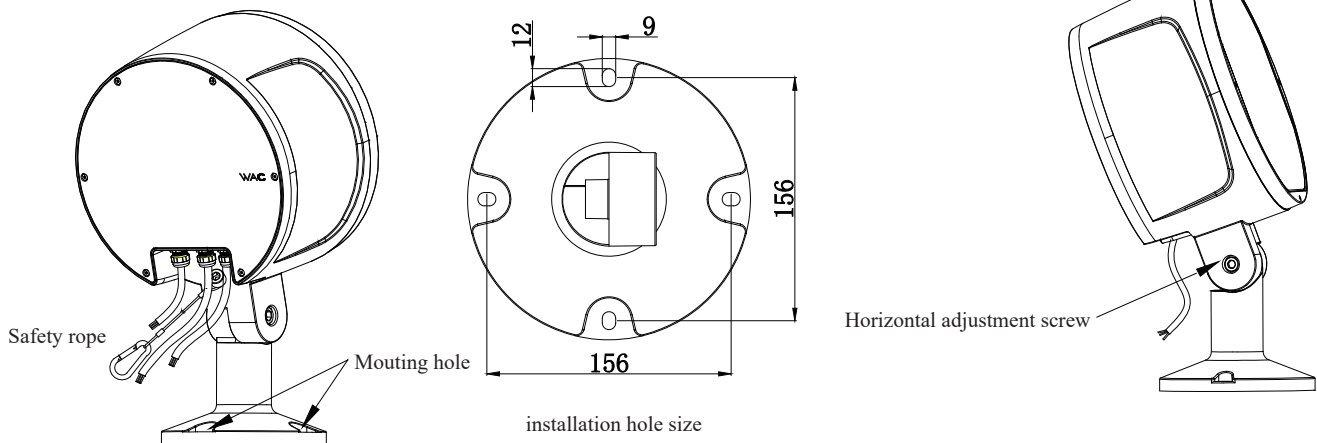


Attention: All installation, replacement, or maintenance diagram operations must be powered off before proceeding!

M6/M8 expansion screw size reference

Light Installation and Wiring:

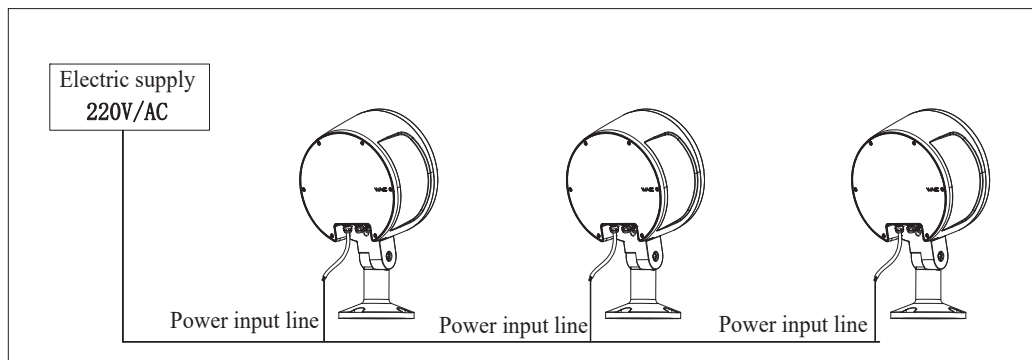
一、 Installation of lighting fixtures:

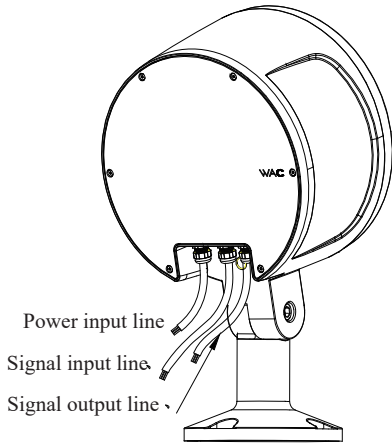


1. Fix the light fixture with suitable expansion bolts (M6 or M8) through the installation holes shown in the diagram (after installing the light fixture, find a fixed place to fix the safety rope)
2. Adjustment of lamp illumination angle: Use a hex wrench to adjust the screw and turn the lamp to the desired angle (adjustable 30 degrees in the front and 90 degrees in the back vertical direction)

二、 Wiring and control adjustment

3. The power input is AC220V, and the product is a non dimming version wiring diagram. The markings on the power input line label are: live wire L, zero wire N, and ground wire



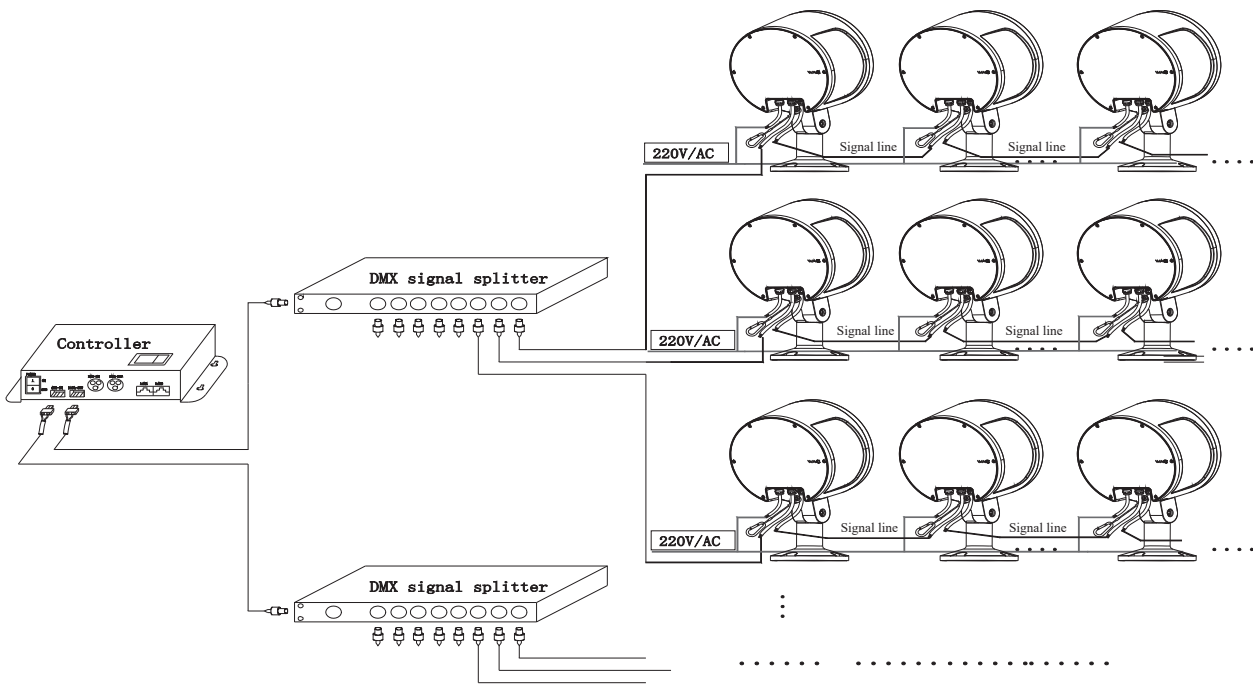


DMX512Signal line label
Yellow green line: Gndground wi
Red line: DMXSignal input positive
black line: DMXSignal input negative

4. The power input is AC220V, and the product is DMX512 dimming lamp wiring method:

Attention points:

- a: Connect the power input line of each lighting fixture, and waterproof treatment should be done at the wire connection;
- b: The lighting fixtures can be connected together through signal wires, and it is recommended that there are no more than 10 lighting fixtures carried by each DMA signal amplifier;



Notes:

1. Cable not included, waterproof 3-core cable with a diameter of $\phi 5$ - $\phi 9$ mm (markings on the connector: live wire L, neutral wire N, ground wire);
2. If damage is found to the glass protective cover during installation, it must be replaced;
3. When the glass protective cover is damaged and replaced, customers can only use the glass protective cover provided by our company.