

PANTHER - MODEL: EP5LI-108

Spot Luminaires

WAC LIGHTING

Responsible Lighting®

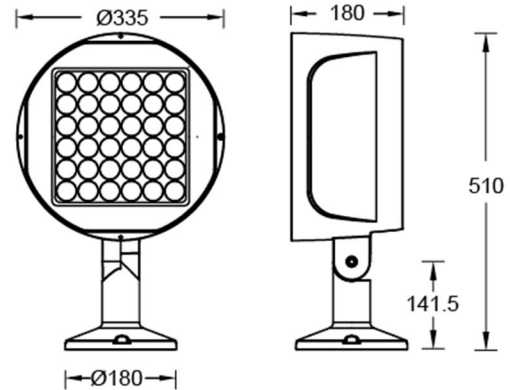
Project name:

The lamp position number:

Product Pictures



Line Pictures



Product description

Panther series projector is a professional LED projector designed by WAC for high-end outdoor lighting. It has the perfect and simple appearance of WAC design, fully integrates the principle of aerodynamics, and utilizes effective heat dissipation, extend the life of LED lamps. Equipped with breathing valve, can effectively balance the internal and external air pressure, to prevent condensate. Low profile design and high performance optical performance highlight the environment, Panther series lamps with a variety of sizes and the latest LED technology. The rotation can be adjusted accurately in both vertical and horizontal directions. The utility model can be applied to places such as building elevation or landscape projection.

Product characteristics

- **Body material:** Die-casting aluminum alloy lamp body
- **Optical systems:** Lens
- **Surface treatment:** Powder coating
- **Direction of projection:** Vertical up 90°, Down 30°
- **Accessories/brackets:** /
- **Safety certification:** CCC
- **Protection level:** IP65
- **Insulation grade:** Class I
- **Ambient temperature:** -20°C~50°C

Product specifications

- **Type of light source:** High Power
- **Light source power:** 97W (Max)
- **Luminous Flux:** 2700K 7380lm ;3000K 7897lm; 4000K 8413lm
- **Life:** >50000h-L70 /B10-Ta25°C(LM-80/TM-21)
- **Color temperature/indication:** 2700K, Ra80 / 3000K, Ra80 / 4000K , Ra80
- **Color tolerance of light source:** 3 SDCM
- **Input Voltage:** 220V/AC、50/60hz
- **Dimming control:** ON-OFF / DMX512
- **Product weight:** About 16.5Kg, No packaging

Order the model

Model	Power (W)	LEDs (quantity)	Max Lumens (Lm)	Control Systems	Beam	CCT	Finish
EP5LI-108	108(Max)	36	6379 (3000K)	EL ON-OFF 220V/AC Power Supply ML DMX512 Dimming 220V/AC Power Supply	V 4°	27 2700K 30 3000K 40 4000K	BK Black
					S 7°		
					1 13°		
					3 30°		
					4 40°		
J 12°x35°							

Example: EP5LI-108EL-V30BK

PANTHER - MODEL: EP5LI-108

Spot Luminaires



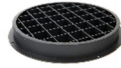

WAC LIGHTING

Responsible Lighting®

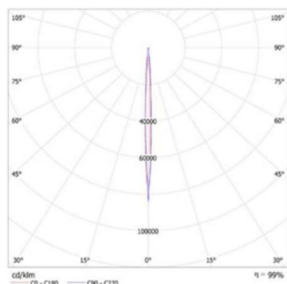
Project name:

The lamp position number:

Accessories

ITEM	Abbreviate	PIC	Model
Wall Washer Visor	WW1		EP5LI-WW1-BK
Wall Washer Visor	WW2		EP5LI-WW2-BK
Wall Washer Visor	WW3		EP5LI-WW3-BK
Support for Pole	SPL		EP5SI-SPL-BK

Light distribution curve@3000K Data



Models:	EP5LI-108EL-V30BK
Beam angle:	4.2°
System power:	108W (Max)
System luminous flux:	6379lm
Central light intensity:	/
System optical effects:	56.65lm /W

PANTHER - MODEL: EP5SI-070

Spot Luminaires

WAC LIGHTING

Responsible Lighting®

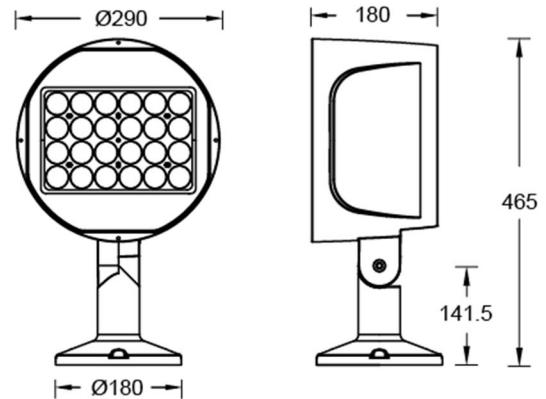
Project name:

The lamp position number:

Product Pictures



Line Pictures



Product description

Panther series projector is a professional LED projector designed by WAC for high-end outdoor lighting. It has the perfect and simple appearance of WAC design, fully integrates the principle of aerodynamics, and utilizes effective heat dissipation, extend the life of LED lamps. Equipped with breathing valve, can effectively balance the internal and external air pressure, to prevent condensate. Low profile design and high performance optical performance highlight the environment, Panther series lamps with a variety of sizes and the latest LED technology. The rotation can be adjusted accurately in both vertical and horizontal directions. The utility model can be applied to places such as building elevation or landscape projection.

Product characteristics

- **Body material:** Die-casting aluminum alloy lamp body
- **Optical systems:** Lens
- **Surface treatment:** Powder coating
- **Direction of projection:** Vertical up 90°, Down 30°
- **Accessories/brackets:** /
- **Safety certification:** CCC
- **Protection level:** IP65
- **Insulation grade:** Class I
- **Ambient temperature:** -20°C~50°C

Product specifications

- **Type of light source:** High Power
- **Light source power:** 64.8W
- **Luminous flux:** 2700K 4920lm ;3000K 5264lm; 4000K 5609lm
- **Life:** >50000h-L70 /B10-Ta25°C(LM-80/TM-21)
- **Color temperature/indication:** 2700K, Ra80 / 3000K, Ra80 / 4000K , Ra80
- **Color tolerance of light source:** 3 SDCM
- **Input Voltage:** 220V/AC、50/60hz
- **Dimming control:** ON-OFF / DMX512
- **Product weight:** About 13.8Kg, No packaging

Order the model

Model	Power (W)	LEDs (quantity)	Max Lumens (Lm)	Control Systems	Beam	CCT	Finish
EP5SI-070	70(Max)	24	4381 (3000K)	EL ON-OFF 220V/AC Power Supply ML DMX512 Dimming 220V/AC Power Supply	V 4° S 7° 1 13° 3 30° 4 40° J 12°x35°	27 2700K 30 3000K 40 4000K	BK Black

Example: EP5SI-070EL-V27BK

PANTHER - MODEL: EP5SI-070

Spot Luminaires





WAC LIGHTING

Responsible Lighting®

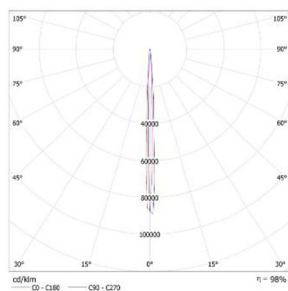
Project name:

The lamp position number:

Accessories

ITEM	Abbreviate	PIC	Model
Wall Washer Visor	WW1		EP5SI-WW1-BK
Wall Washer Visor	WW2		EP5SI-WW2-BK
Wall Washer Visor	WW3		EP5SI-WW3-BK
Support for Pole	SPL		EP5SI-SPL-BK

Light distribution curve@3000K Data



Models: EP5SI-070EL-V30BK

Beam angle: 4.2°

System power: 70W (Max)

System luminous flux: 4381lm

Central light intensity: /

System optical effects: 62.12lm /W