

## Product model:

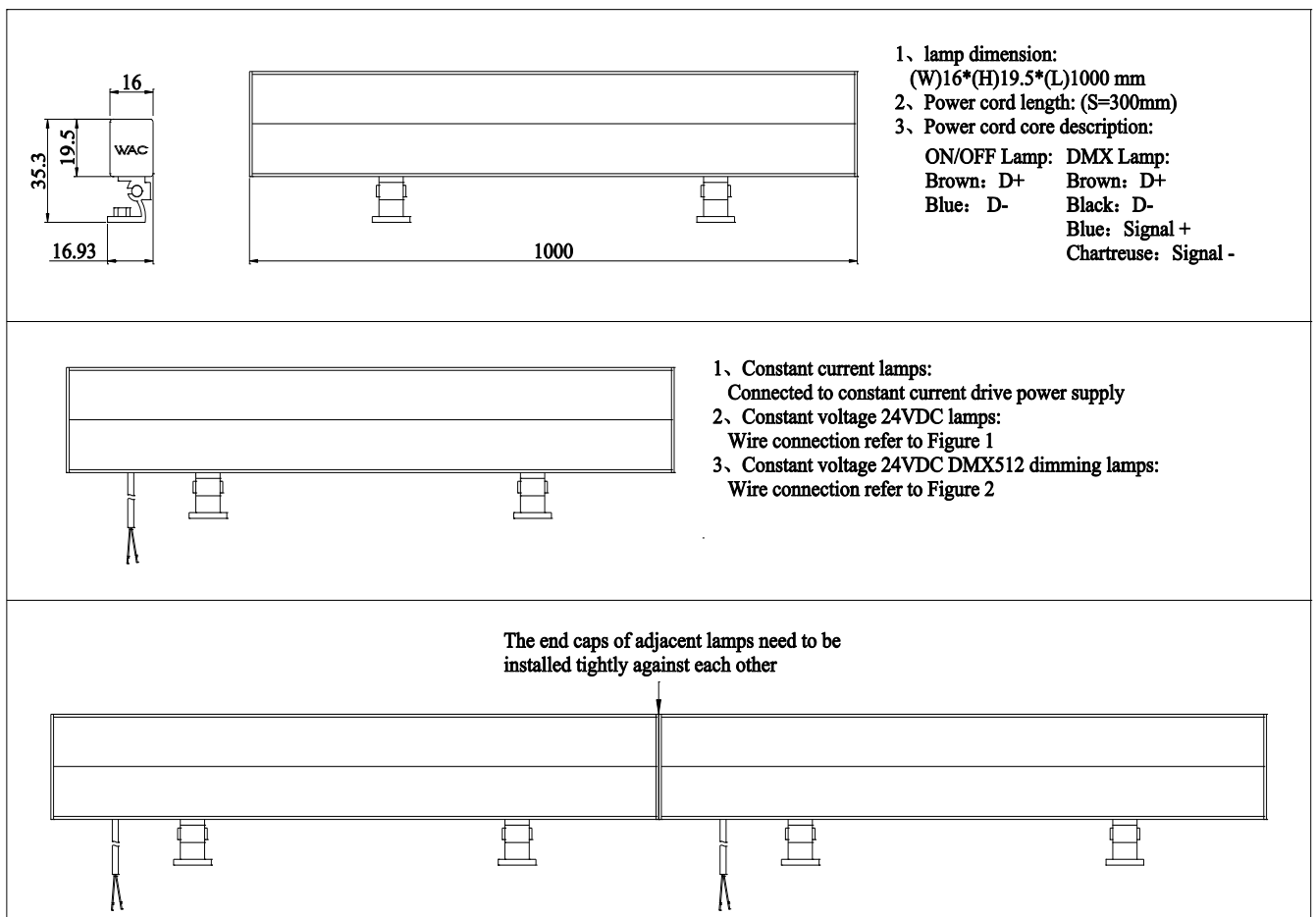
This installation manual is applicable to the Accent C5 series of LED outdoor hard strip lights.

## Installation Precautions:

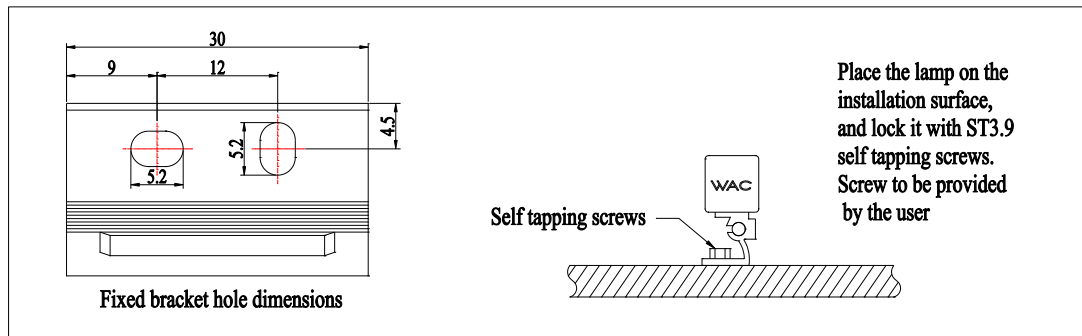
1. Please read through the Instructions before installation.
2. The product should be installed by a professional electrician.
3. Make sure the power supply is cut off before installation and maintenance, to avoid the risk of electric shock.
4. Before installing the lighting fixtures, please confirm that the installation surface is firm and reliable to prevent the fixtures from falling.
5. Please keep this Instruction properly for future reference.

## Installation method and steps:

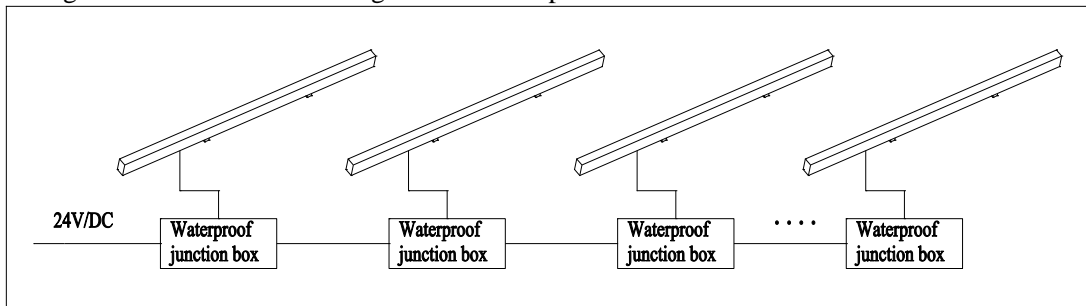
1. The installation method of this line lamp is only suitable for horizontal installation, and the lamp is fixed to the installation surface with stainless steel screws.
2. The power cord led out from the lamp: the brown line represents the positive terminal, and the blue line represents the negative terminal. The power cord is connected to the DC power supply through a junction box. The positive and negative poles of the power cord should be connected to the positive and negative poles of the DC power supply output terminal, and cannot be reversed. The input terminal of the DC power supply is connected to 220V/50Hz AC power. When installing the lamp, the end covers of the two adjacent lamps need to be installed tightly.



3. Installation method:



4. Wiring method for constant voltage 24V/DC lamps:



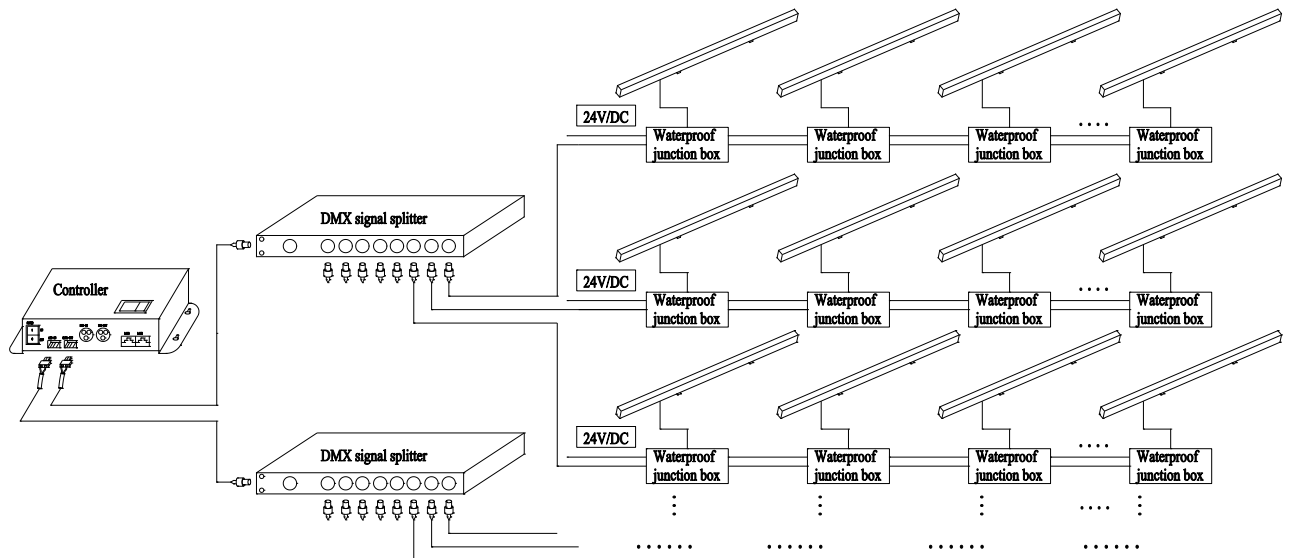
Note:

Figure 1

Wire connections must use waterproof junction boxes of IP65 or above.

It is recommended that the number of lamps connected to each power circuit should not exceed 20

5. Wiring method for constant voltage 24V/DC DMX512 dimming lamps



Note:

Figure 2

Wire connections must use waterproof junction boxes of IP65 or above, and the waterproof joints of the junction boxes must match the leads of the lighting fixtures

It is recommended that the number of lighting fixtures connected to each power circuit should not exceed 20, and the number of lighting fixtures carried by each DMA signal amplifier should not exceed 20